

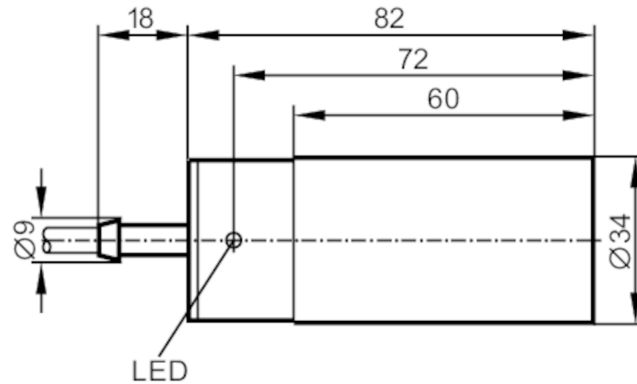
IB0122



Inductive sensor

IB-2020-BBOA/15M

customer-specific



Product characteristics

Output function		normally closed
Sensing range	[mm]	20
Housing		cylindrical
Dimensions	[mm]	Ø 34 / L = 82

Electrical data

Operating voltage	[V]	20...250 AC/DC
Protection class		II
Reverse polarity protection		no

Outputs

Output function		normally closed
Max. voltage drop switching output DC	[V]	6
Max. voltage drop switching output AC	[V]	6.5
Minimum load current	[mA]	5
Max. leakage current	[mA]	2.5 (250 V AC) / 1.3 (110 V AC) / 0.8 (24 V DC)
Permanent current rating of switching output AC	[mA]	250; (350 (...50 °C))
Permanent current rating of switching output DC	[mA]	100
Short-time current rating of switching output	[mA]	2200; (20 ms / 0,5 Hz)
Switching frequency AC	[Hz]	25
Switching frequency DC	[Hz]	50
Short-circuit proof		no
Overload protection		no

IB0122



Inductive sensor

IB-2020-BBOA/15M

Detection zone		
Sensing range	[mm]	20
Real sensing range Sr	[mm]	20 ± 10 %
Operating distance	[mm]	0...16.2
Accuracy / deviations		
Correction factor		steel: 1 / stainless steel: 0.7 / brass: 0.4 / aluminium: 0.4 / copper: 0.3
Hysteresis	[% of Sr]	1...15
Switch point drift	[% of Sr]	-10...10
Operating conditions		
Ambient temperature	[°C]	-25...80
Protection		IP 67
Tests / approvals		
EMC		EN 60947-5-2
		EN 55011 class B
MTTF	[years]	610
Mechanical data		
Weight	[g]	786.4
Housing		cylindrical
Mounting		non-flush mountable
Dimensions	[mm]	Ø 34 / L = 82
Materials		PBT
Displays / operating elements		
Display	switching status	1 x LED, yellow
Electrical connection		
Required protection		miniature fuse to IEC60127-2 sheet 1; ≤ 2 A; fast acting
Accessories		
Items supplied		Mounting clamps: 1
Remarks		
Remarks		Recommendation: Check the safe functioning of the unit after a short circuit.
Notes		customer-specific
Pack quantity		1 pcs.

IB0122



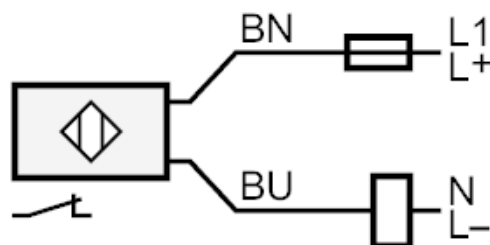
Inductive sensor

IB-2020-BBOA/15M

Electrical connection

Cable: 15 m, PVC; 2 x 0.5 mm²

Connection



Note miniature fuse to IEC60127-2 sheet 1 ≤ 2 A fast acting

Core colours :

BN = brown

BU = blue