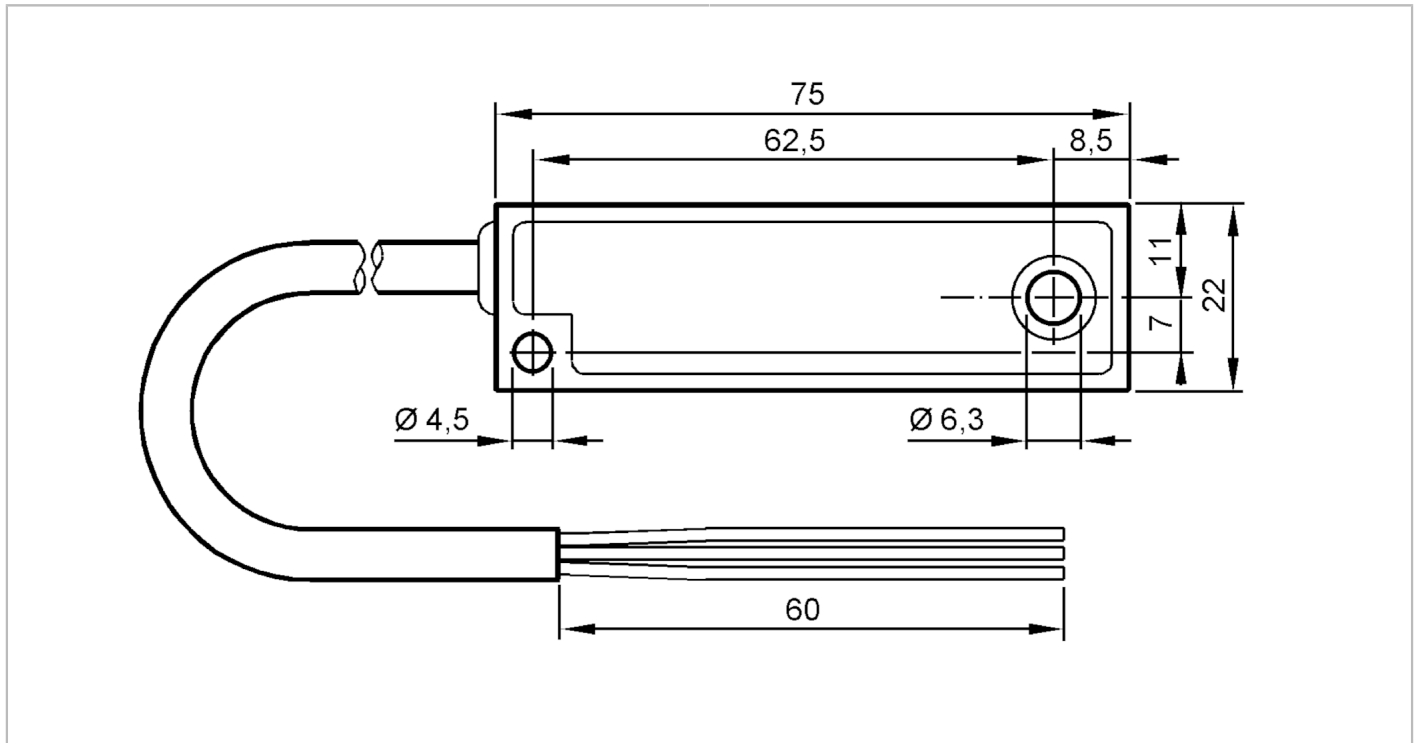


EC2061



Inclination sensor

R360/INCLINATION SWITCH



Electrical data	
Operating voltage [V]	10...30 DC
Inputs / outputs	
Number of inputs and outputs	Number of digital outputs: 1
Outputs	
Number of digital outputs	1
Output function	normally open
Measuring/setting range	
Number of measurement axes	1
Angular range [°]	2,2...5,5
Accuracy / deviations	
Accuracy [°]	0,2°
Repeatability [°]	0.2
Mechanical data	
Weight [g]	226.9
Dimensions [mm]	75 x 22 x 16
Remarks	
Pack quantity	1 pcs.

EC2061



Inclination sensor

R360/INCLINATION SWITCH

Electrical connection

Cable: 3.1 m, PVC

Connection

