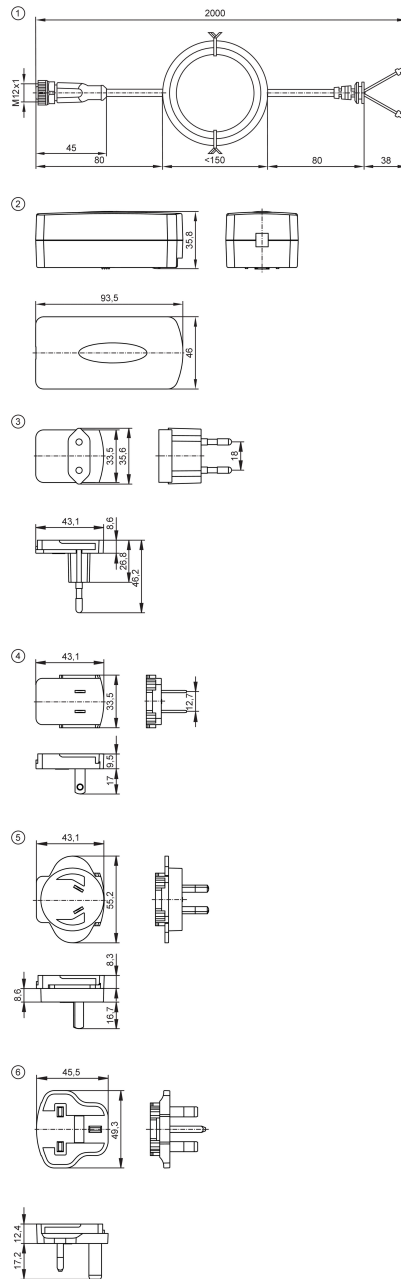


E80121



Plug-in power supply

Power Supply 24VDC/1.0A/ww



- 1 Connection cable M12
- 2 Power supply
- 3 plug EU
- 4 plug USA
- 5 plug AUS
- 6 plug UK



Electrical data

Nominal frequency AC	[Hz]	50...60
Input voltage range AC	[V]	100...240
Output voltage DC	[V]	24
Protection class		II
Number of output circuits		1
Max. residual ripple	[mV]	240

E80121



Plug-in power supply

Power Supply 24VDC/1.0A/ww

Efficiency (nominal voltage 230 V AC / 50 Hz)	[%]	86.2
---	-----	------

Input current (nominal voltage 230 V AC / 50 Hz)	[A]	1
--	-----	---

Outputs

Output current, total	[A]	1
-----------------------	-----	---

Operating conditions

Ambient temperature	[°C]	0...40
---------------------	------	--------

Storage temperature	[°C]	-20...85
---------------------	------	----------

Protection		M12 connector: IP69K
------------	--	----------------------

Mechanical data

Weight	[g]	254.5
--------	-----	-------

Housing		rectangular
---------	--	-------------

Dimensions	[mm]	93.5 x 46 x 35.8
------------	------	------------------

Materials		housing: plastics black
-----------	--	-------------------------

Accessories

Items supplied		Mains adapters: 1, EU
----------------	--	-----------------------

		1, UK
--	--	-------

		1, USA
--	--	--------

		1, AUS
--	--	--------

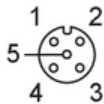
Remarks

Pack quantity		1 pcs.
---------------	--	--------

Electrical connection

Cable: 2 m; 2 x 0.5 mm²

Connector: 1 x M12; coding: A; Locking: brass, nickel-plated



1	L+
2	n.c.
3	L-
4	n.c.
5	n.c.