

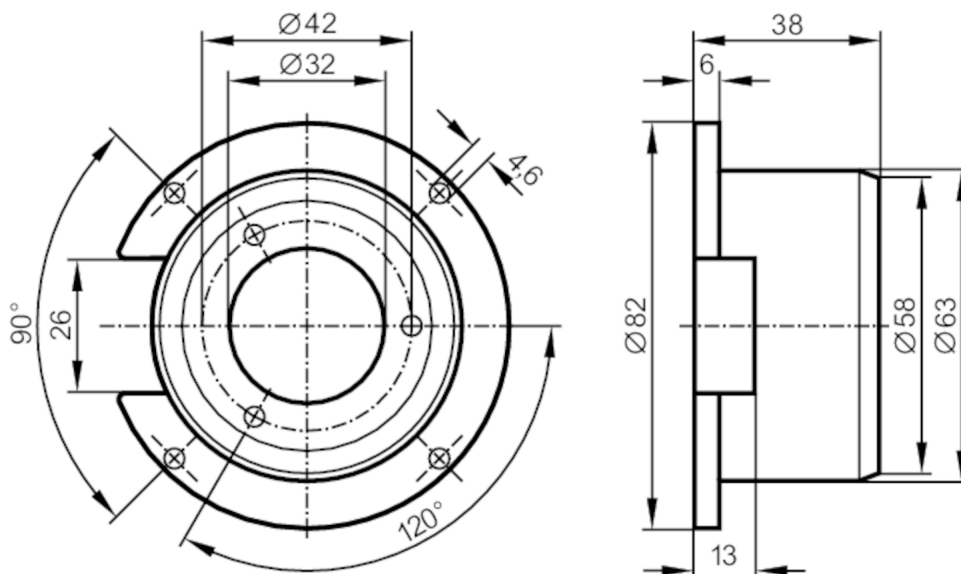
# E60148



## Isolating adapter for encoders

Montageglocke

Article no longer available - archive entry



### Application

Design for encoders

### Mechanical data

Dimensions [mm] 82 x 38 x 82

Materials PBT

### Remarks

Pack quantity 1 pcs.