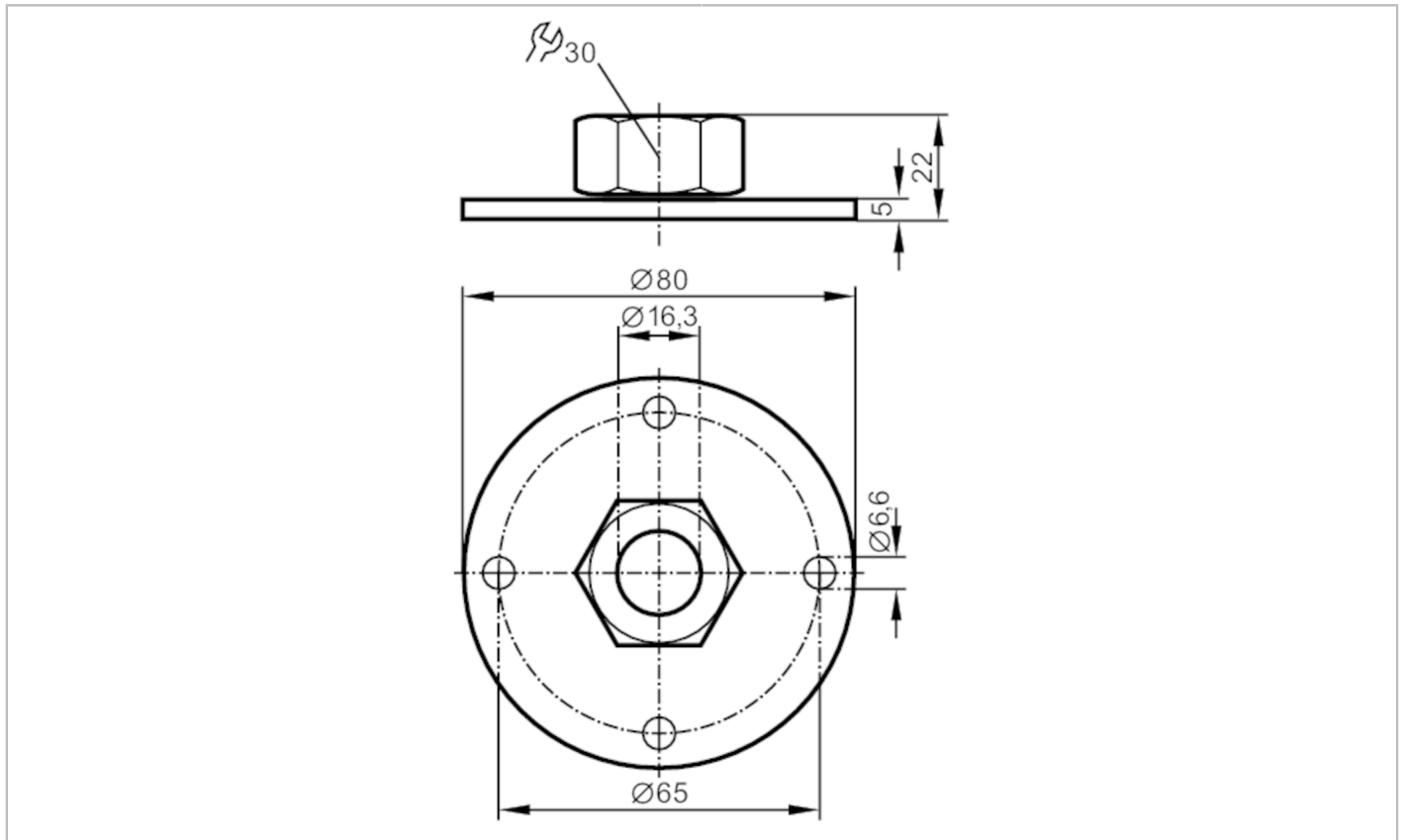


E43006



Flange plate for level sensors

FLANGE PLATE 65-80 D16



Application

Design	for capacitive level sensors LK, LI, LT, LL
Pressure rating [bar]	0.5

Mechanical data

Weight [g]	144.5
Materials	flange: aluminium anodised; Lock nut: stainless steel; spacer: brass; clamping ring: FKM
Tightening torque [Nm]	6...9

Remarks

Pack quantity	1 pcs.
---------------	--------