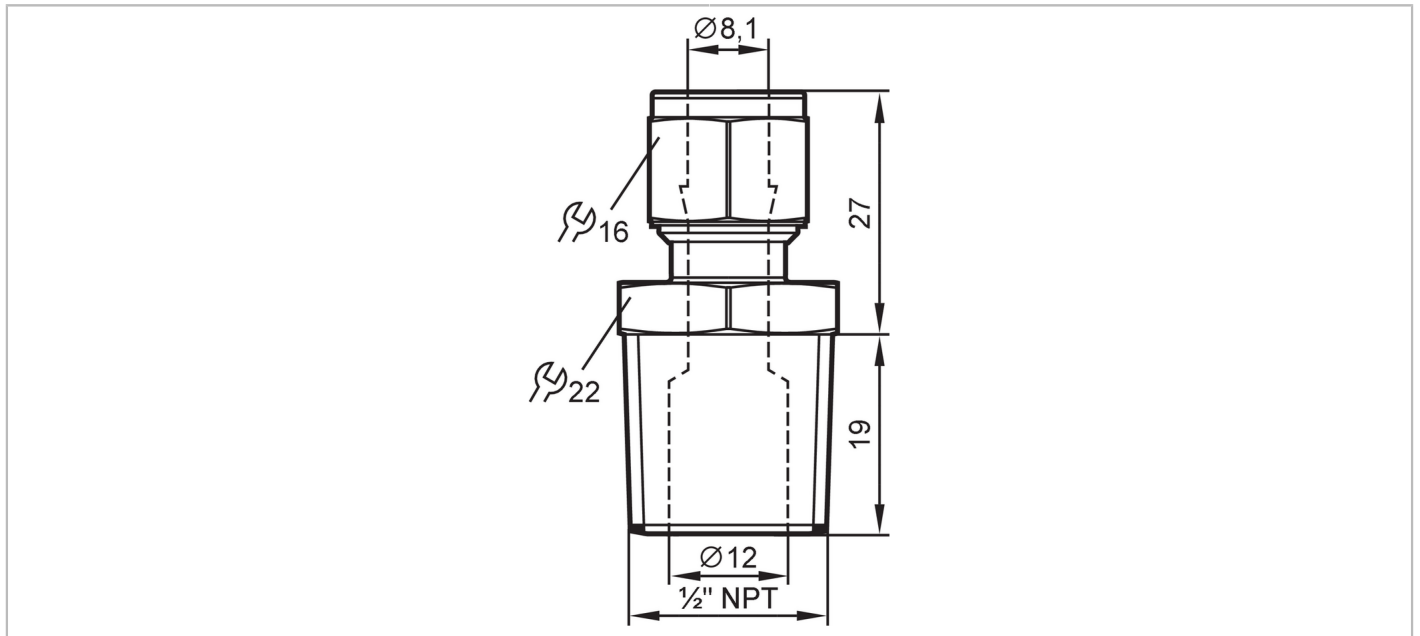


# E40261



## Progressive ring fitting

COMPRESSION FITTING 1/2 NPT



### CRN

Application	
Installation	Progressive ring fitting
Pressure rating	50 bar   5 MPa
MAWP for applications according to CRN [bar]	50
Tests / approvals	
Pressure Equipment Directive	A possible classification to PED depends on the application and has to be carried out by the user / operator.
Safety instructions	The compatibility between medium and product material has to be checked in all applications.
Mechanical data	
Weight [g]	80
Materials	stainless steel (316L/1.4404)
Sensor connection	Ø 8 mm
Process connection	threaded connection 1/2" NPT
Remarks	
Pack quantity	1 pcs.