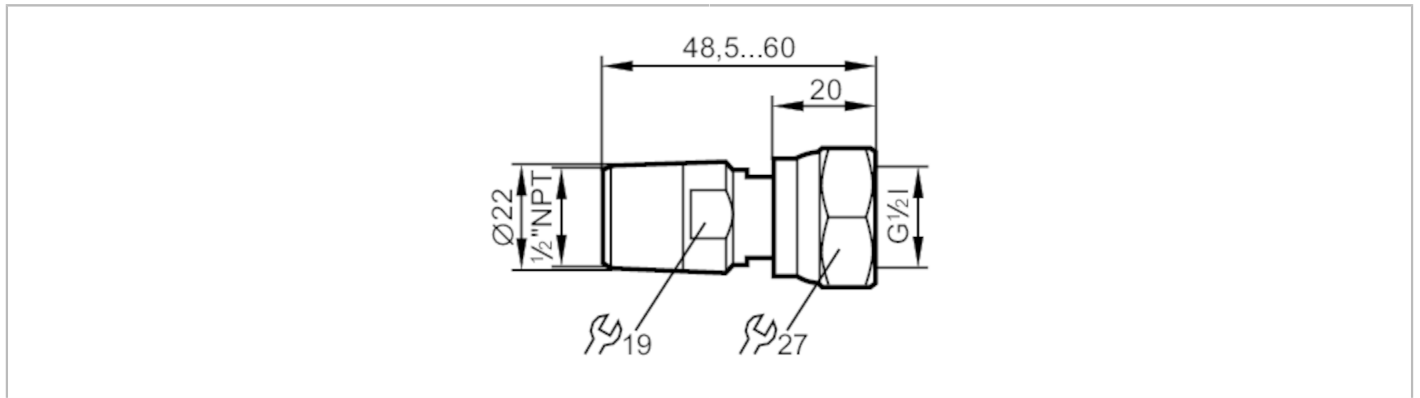


E40200



Mounting adapter for flow sensors

REDADAPT G1/2"-1/2NPT



CRN

Application	
Design	for flow sensors SM6
MAWP (for applications according to CRN) [bar]	16
Mechanical data	
Weight [g]	264.5
Materials	Adapter: stainless steel (1.4571/316Ti); Gasket: Centellen 18,5 x 12 x 3 mm
Sensor connection	G 1/2
Process connection	threaded connection 1/2" NPT
Sealing	flat seal
Accessories	
Items supplied	O-rings: 2
Remarks	
Pack quantity	2 pcs.