

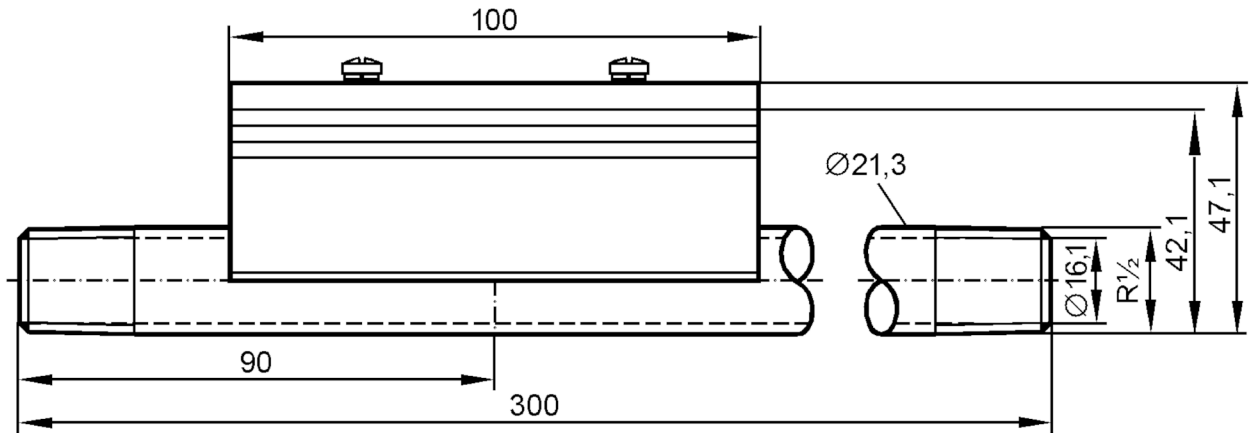
E40157



Pipe section for compressed air meter

MESSSTR DN15/L300/VA/D21,3

Article no longer available - archive entry



Application

Design for compressed air meters SD6

Pressure rating [bar] 16

Mechanical data

Materials stainless steel (1.4301 / 304); FKM; aluminium anodised

Process connection R 1/2

Remarks

Pack quantity 1 pcs.