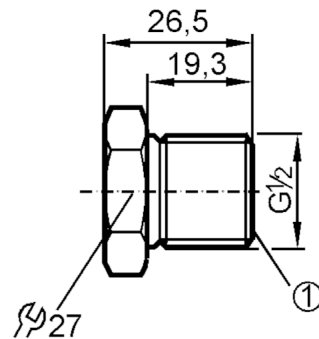




## Screw-in adapter for process sensors

Adapter/G1/2-M16x1,5/Kunst/SA

Article no longer available - archive entry



1 internal thread M16 x 1.5

## Application

Design	for flow monitors M16 x 1.5 (SAM)
Installation	for mounting in T-pieces

## Mechanical data

Type of mounting	for mounting in T-pieces
Dimensions [mm]	M16
Thread designation	M16
Materials	plastics
Process connection	threaded connection

## Remarks

Pack quantity	1 pcs.
---------------	--------