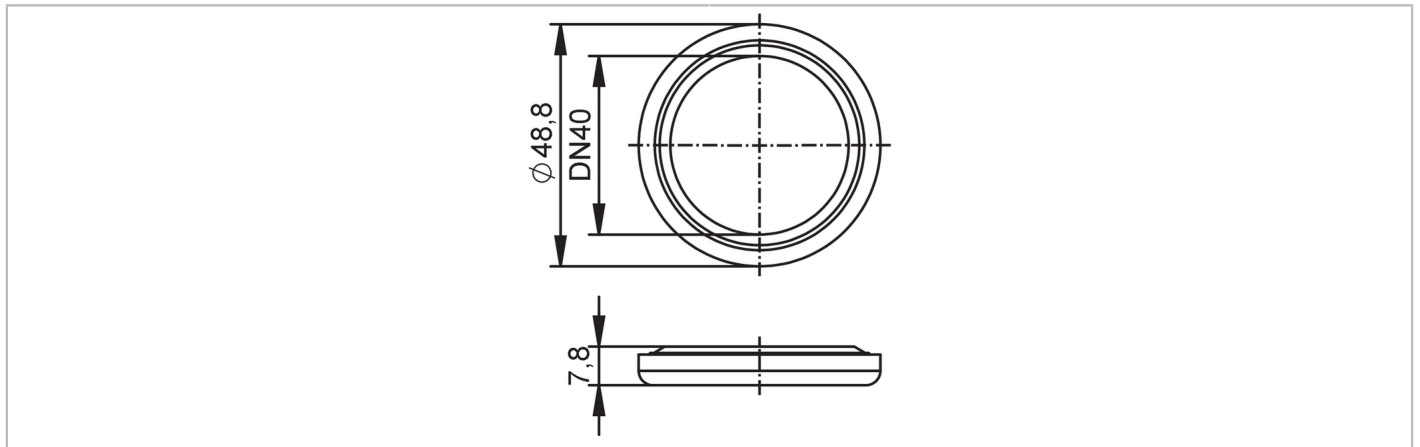


# E40562



## Gasket

SEAL RING EPDM DN40



EC 1935/2004

FCM



Hygienic  
Cleanable

### Application

Design	for volumetric flow meters SMF
Application	food and beverage industry; hygienic systems
Medium temperature [°C]	-20...150

### Mechanical data

Weight [g]	11.7
Housing	circular
Inside diameter [mm]	36
External diameter [mm]	48.8
Materials	EPDM
Nominal diameter	DN40 (1 1/2")

### Remarks

Pack quantity	2 pcs.
---------------	--------