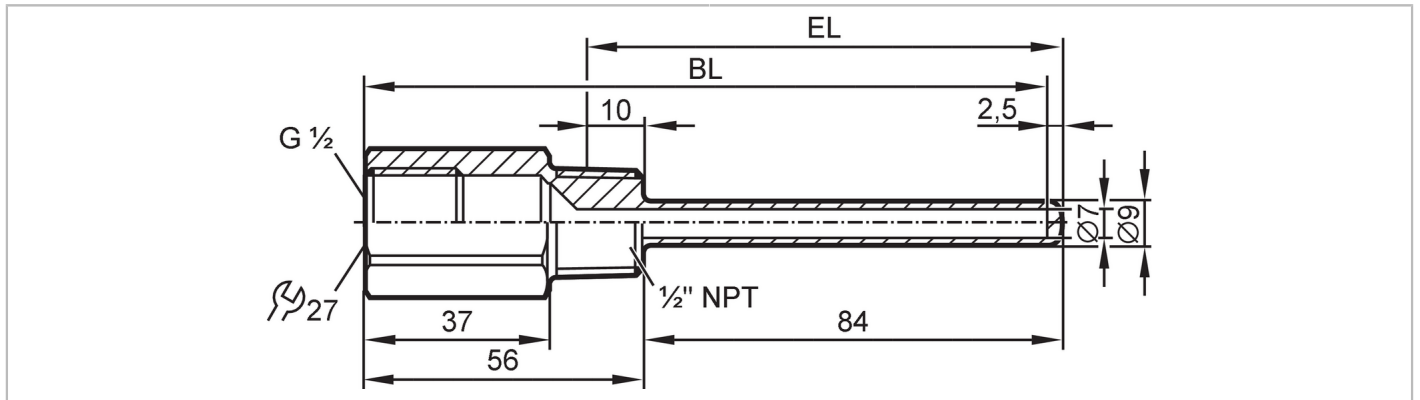


E37211



Thermowell for temperature sensors

THERMOWELL, D6/ 1/2 NPT/L=100



Application	
Design	for temperature sensors EL = 100 mm
Pressure rating	16 bar 1.6 MPa
Mechanical data	
Weight [g]	164.6
Materials	stainless steel (316L/1.4404)
Sensor connection	G 1/2 sealing cone Ø 6 mm
Process connection	1/2" NPT
Installation length EL [mm]	94
Bore length BL [mm]	137
Remarks	
Pack quantity	1 pcs.