

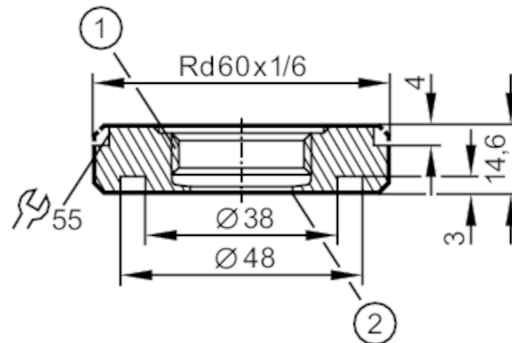
# E33071



## Mounting adapter for process sensors

ADAPT IFM-SMS DN40(1.5)GWD

Article no longer available - archive entry



- 1 Aseptoflex thread
- 2 Aseptoflex sealing edge

### Application

Pressure rating [bar] 25

### Mechanical data

Materials	stainless steel (1.4404 / 316L)
Sensor connection	Aseptoflex
Process connection	flange DN40 (1,5")
Surface characteristics Ra/Rz of the wetted parts	0.4 / 4
Hygienic equipment class to DIN 11866	H4

### Remarks

Pack quantity 1 pcs.