

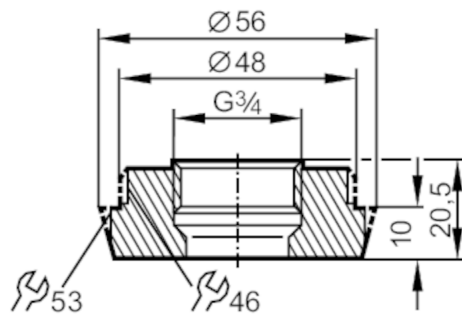
E33912



Process adapter hygienic pipe fitting

ADAPT G3/4-DIN11851/DN40 (1.5)

Article no longer available - archive entry



Application

Pressure rating [bar] 40

Mechanical data

Materials	stainless steel (1.4435 / 316L)
Sensor connection	G 3/4
Process connection	hygienic pipe fitting DN40 (1,5") DIN 11851
Surface characteristics Ra/Rz of the wetted parts	0.4 / 4
Hygienic equipment class to DIN 11866	H4

Remarks

Pack quantity 1 pcs.