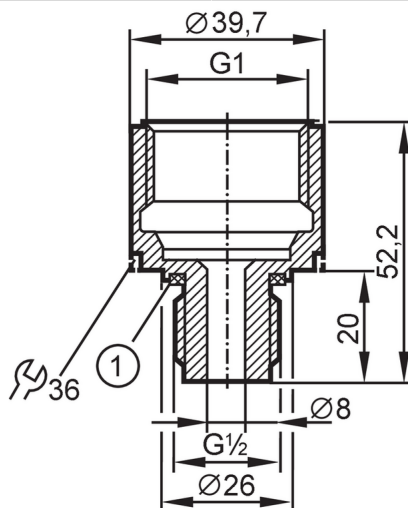


# E30116



## Screw-in adapter for process sensors

ADAPT G1-I / G1/2-A



1 sealings

Application	
Pressure rating	100 bar 10 MPa
Tests / approvals	
Pressure Equipment Directive	A possible classification to PED depends on the application and has to be carried out by the user / operator.
Safety instructions	The compatibility between medium and product material has to be checked in all applications.
Mechanical data	
Weight [g]	187
Materials	stainless steel (316L/1.4404); Sealing: FKM
Sensor connection	G 1 - 27 mm
Process connection	threaded connection G 1/2
Remarks	
Pack quantity	1 pcs.