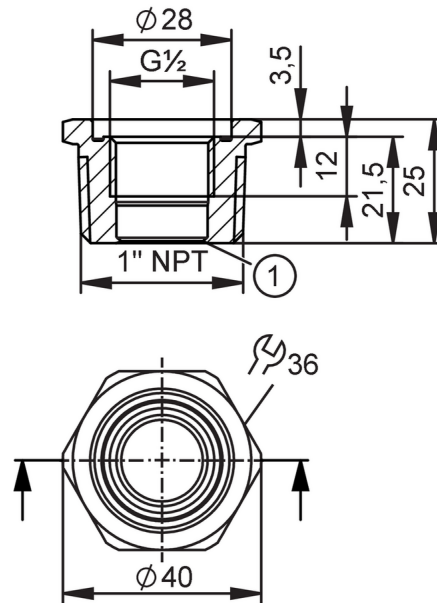


E30516



Screw-in adapter for process sensors

ADAPT G1/2 / 1NPT



1 sealing edge

Application

Pressure rating	400 bar	40 MPa
-----------------	---------	--------

Tests / approvals

Pressure Equipment Directive	A possible classification to PED depends on the application and has to be carried out by the user / operator.
Safety instructions	The compatibility between medium and product material has to be checked in all applications.

Mechanical data

Weight	[g]	131.6
Materials		stainless steel (316L/1.4435)
Sensor connection		G 1/2
Process connection		threaded connection 1" NPT

Remarks

Pack quantity		1 pcs.
---------------	--	--------