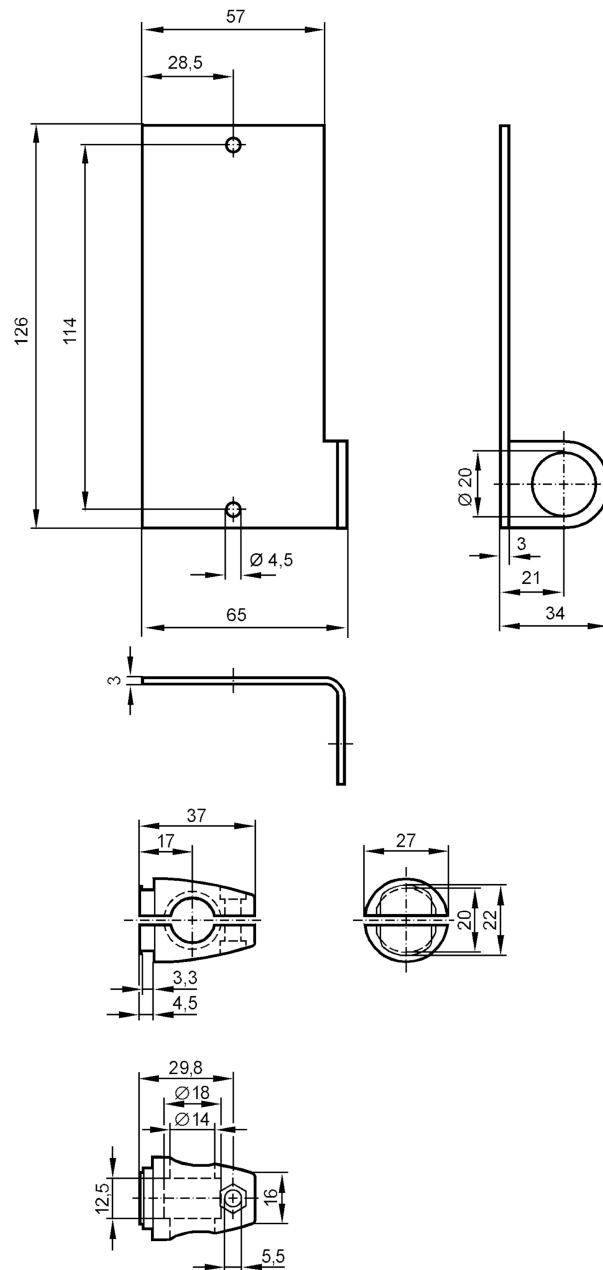


## Mounting set for reflectors

SYSTEM COMPONENT REFL ROD

Article no longer available - archive entry



Application	
Design	clamp mounting, for reflector
Mechanical data	
Type of mounting	Mounting rod; ( $\varnothing 14$ mm)
Materials	fixture: stainless steel (1.4571/316Ti); Clamp: diecast zinc
Remarks	
Pack quantity	1 pcs.

Article no longer available - archive entry