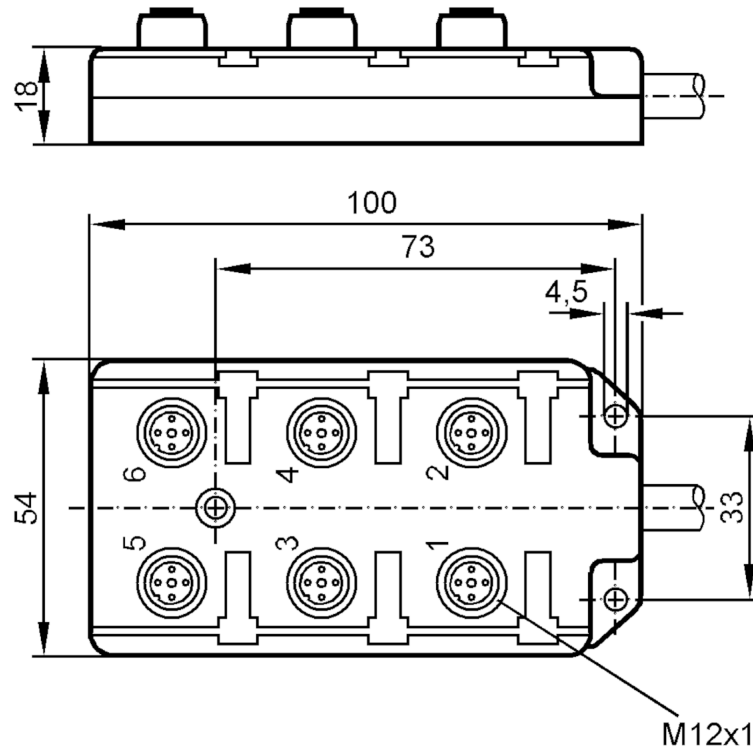


E19961

Splitter box



Electrical data

Operating voltage	[V]	10...110 AC/DC
Max. current load per module/slot	[A]	4
Max. current load total	[A]	12

Operating conditions

Ambient temperature	[°C]	-15...90
Protection		IP 67

Mechanical data

Dimensions	[mm]	18 x 54 x 100
Number of ports splitter box		6

Remarks

Pack quantity		1 pcs.
---------------	--	--------

Electrical connection

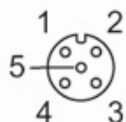
Cable: 5 m, PUR / PVC; 6 x 0.34 mm² + 3 x 0.75 mm²

Electrical connection - slot

Connector: 6 x M12

E19961

Splitter box



Connection

<u>BN</u>	<u>1 (1...6)</u>	<u>C</u>
<u>BU</u>	<u>3 (1...6)</u>	<u>C</u>
<u>GN/YE</u>	<u>5 (1...6)</u>	<u>C</u>
<u>WH</u>	<u>4 (1)</u>	<u>C</u>
<u>GN</u>	<u>4 (2)</u>	<u>C</u>
<u>YE</u>	<u>4 (3)</u>	<u>C</u>
<u>GY</u>	<u>4 (4)</u>	<u>C</u>
<u>PK</u>	<u>4 (5)</u>	<u>C</u>
<u>RD</u>	<u>4 (6)</u>	<u>C</u>

Core colours :

BN =	brown
BU =	blue
GN =	green
GN/YE =	green/yellow
GY =	grey
PK =	pink
RD =	red
WH =	white
YE =	yellow