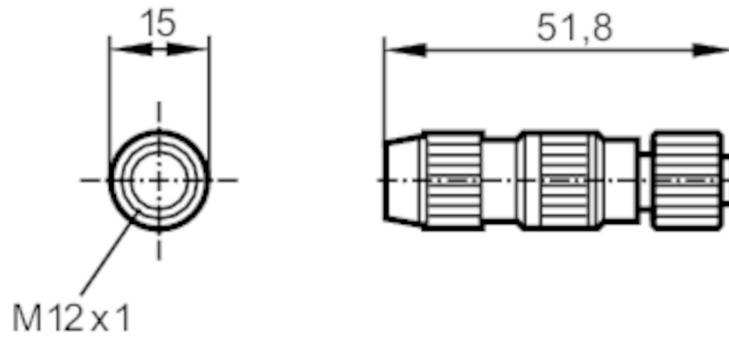


# E18059



## Wirable socket

SDOGH040MSSFKPG



### Electrical data

Operating voltage [V] < 250 DC

### Operating conditions

Ambient temperature [°C] -25...85

Protection IP 68

### Mechanical data

Weight [g] 22.68

Dimensions [mm] 15 x 15 x 51.8

Materials PA 6.6

Moulded-body material PA 6.6

Material nut brass, nickel-plated

### Remarks

Pack quantity 1 pcs.

### Electrical connection

insulation displacement technology: 0.14...0.34 mm<sup>2</sup>; Core insulation: PVC / PETP; (Ø 1.0...1.55 mm); Cable sheath: Ø 4...5 mm

### Electrical connection - socket

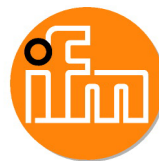
Connector: 1 x M12, straight; Moulded body: PA 6.6; Locking: brass, nickel-plated



# E18059

## Wirable socket

SDOGH040MSSFKPG



### Connection

