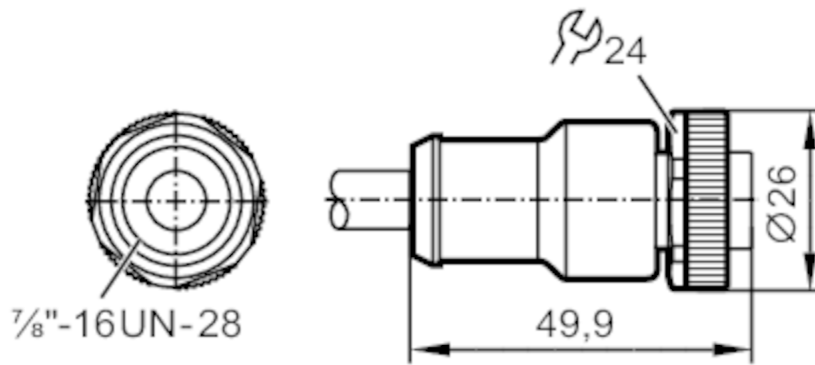


E12772



Connecting cable with socket

AD0GB050ZDS0002B05



Application		
Special feature	Gold-plated contacts; Drag chain suitability	
Electrical data		
Operating voltage [V]	< 400 AC/DC	
Protection class	II	
Max. current load total [A]	5	
Operating conditions		
Ambient temperature [°C]	-25...80	
Protection	IP 68	
Mechanical data		
Weight [g]	187.7	
Dimensions [mm]	26 x 26 x 49.9	
Moulded-body material	PUR	
Material nut	diecast zinc	
Drag chain suitability	yes	
Drag chain suitability	bending radius for flexible use	min. 7.5 x cable diameter
	travel speed	max. 3.3 m/s for a horizontal travel length of 5 m and max. acceleration of 5 m/s ²
	bending cycles	> 5 Mio.
Remarks		
Pack quantity	1 pcs.	

E12772



Connecting cable with socket

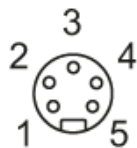
AD0GB050ZDS0002B05

Electrical connection

Cable: 2 m, PUR, black, \varnothing 7.3 mm; 5 x 0.75 mm²

Electrical connection - socket

Connector: 1 x 7/8", straight; Moulded body: PUR; Locking: diecast zinc; Contacts: gold-plated



Connection

