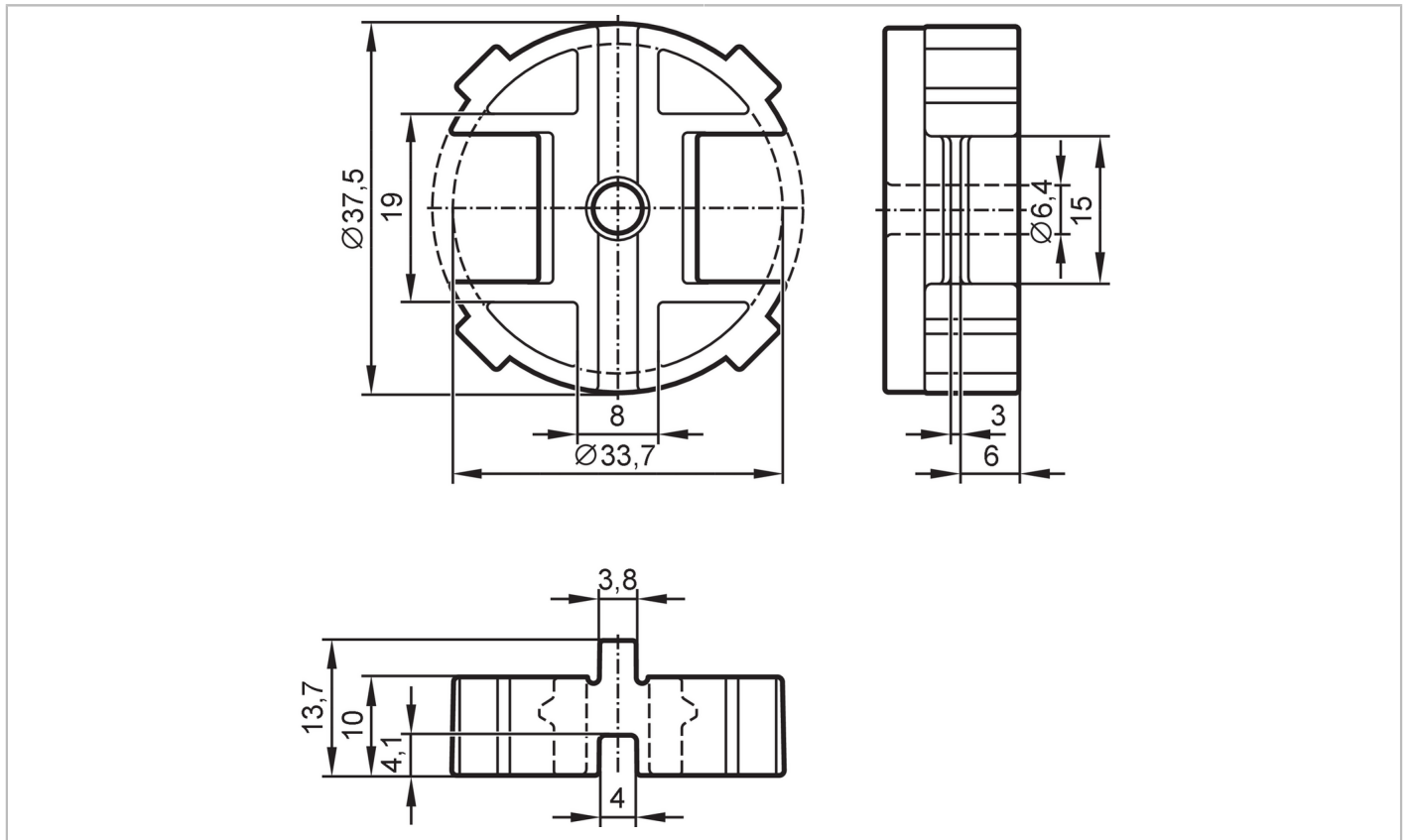


E12526



Spacer for target puck

SPACER 10MM FOR PUCK



Application

Design for mechanical interfaces to pneumatic actuators or manually-operated valves VDI / VDE 3845, ISO 5211 / DIN 3337

Installation compensation height 10 mm

Mechanical data

Weight [g] 13.2

Dimensions [mm] $\varnothing 37.5 / L = 13.7$

Materials PA 6 black; screw: stainless steel

Accessories

Items supplied half-round head screw: 1 x (M6 x 25 mm), EN ISO 7380-2:2011

Remarks

Pack quantity 1 pcs.