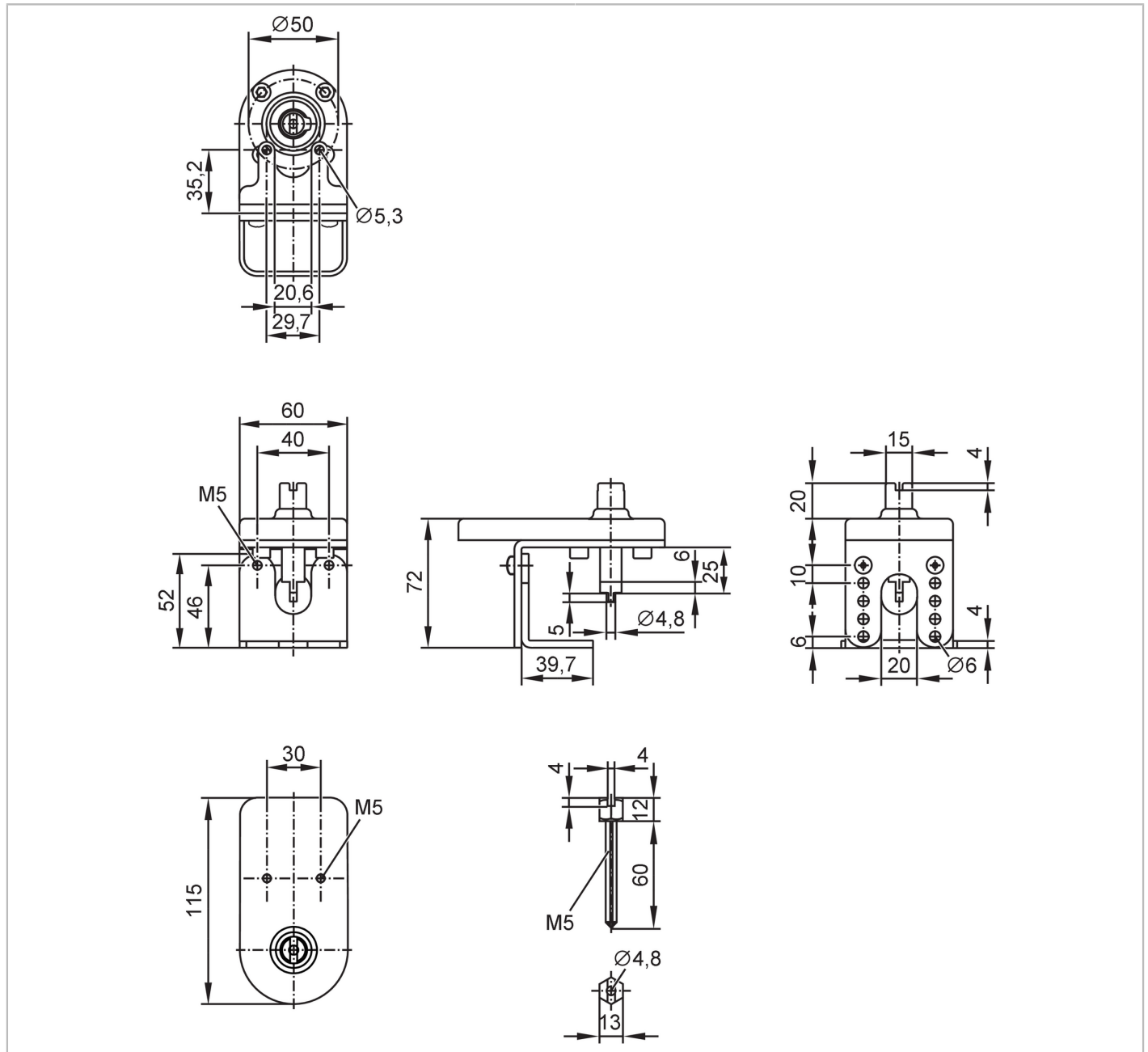


# E12519



## Mounting set for manual valves and ball valves

MOUNTING KIT FOR MANUAL VALVES F04/M5



Application	
Design	for types IND, INE
Operating conditions	
Ambient temperature	[°C] -30...80
Mechanical data	
Weight	[g] 463.5
Top flange diameter	[mm] 42
ISO top flange type	F04
Shaft extension	M5
Materials	Mounting plate: plastics; metal parts: stainless steel (304/1.4301)
Remarks	
Pack quantity	1 pcs.