

E11216



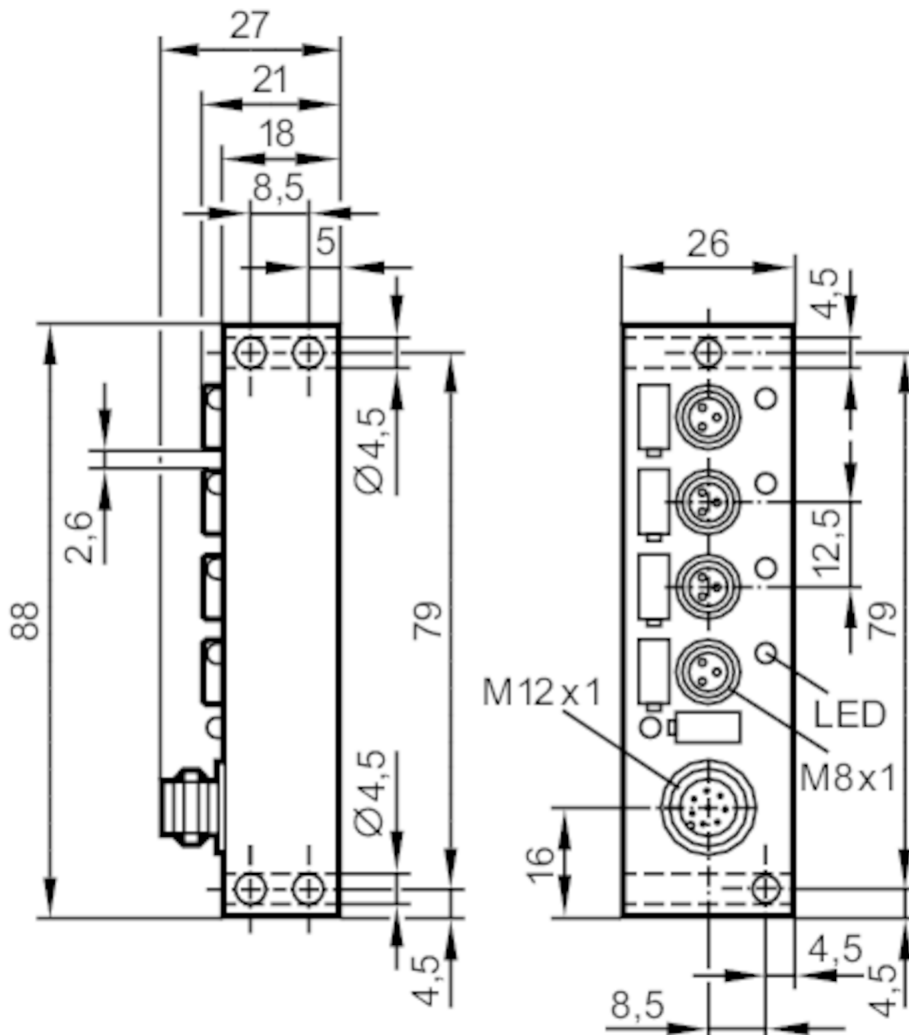
Splitter box

ZDO4F035MSS0000-STGH080MSS

Article no longer available - archive entry

Alternative articles: EBC050

When selecting an alternative article and accessories please note that technical data may differ!



Application

Special feature

Gold-plated contacts

Electrical data

Operating voltage	[V]	10...30 DC
Protection class		III
Max. current load per module/slot	[A]	2
Max. current load total	[A]	6

Operating conditions

Ambient temperature	[°C]	-25...90
Protection		IP 68

E11216



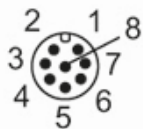
Splitter box

ZDO4F035MSS0000-STGH080MSS

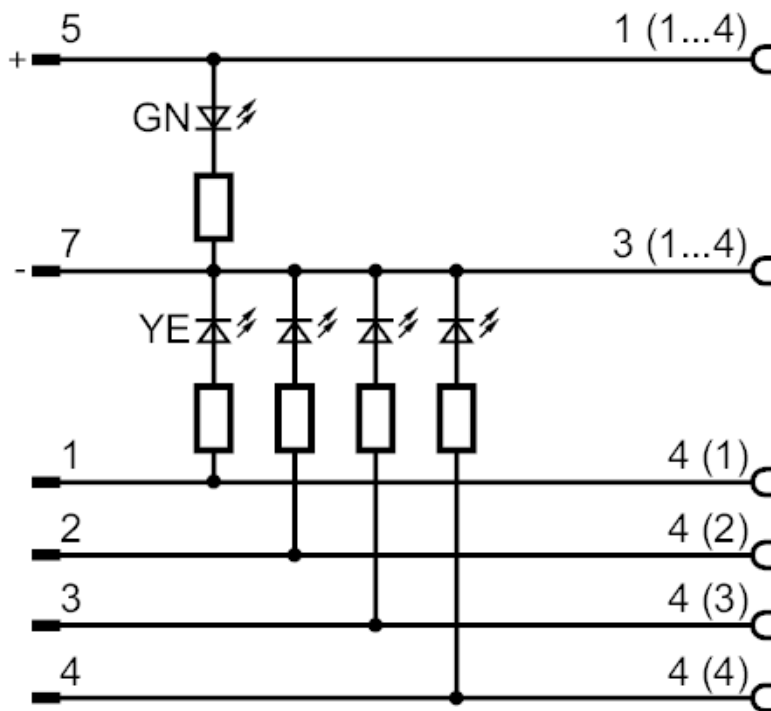
Mechanical data		
Weight	[g]	81.6
Materials		PBT-GF20; brass nickel-plated
Moulded-body material		PBT-GF 20 / brass, nickel-plated / PBT-GF 20 / brass, nickel-plated
Number of ports splitter box		4
Connector type		M8
Displays / operating elements		
Display	switching status	4 x LED, yellow
	operation	1 x LED, green
Remarks		
Pack quantity		1 pcs.

Electrical connection - Connection

Connector: 1 x M12; Moulded body: PBT-GF 20 / brass, nickel-plated; Contacts: gold-plated



Connection



E11216



Splitter box

ZDO4F035MSS0000-STGH080MSS

Electrical connection - slot

Connector: 4 x M8; Moulded body: PBT-GF 20 / brass, nickel-plated; Contacts: gold-plated

