

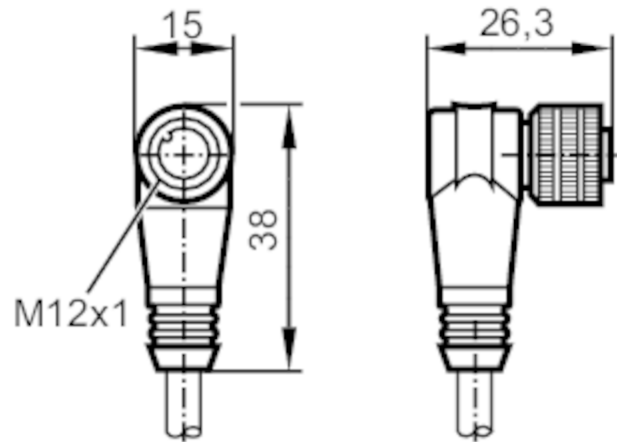
# E11542



## Connecting cable with socket

ADOAH040MSS0005C04

Article no longer available - archive entry



Application	
Special feature	Free from silicone; Halogen-free; Gold-plated contacts; Screened cable
Free from silicone	yes
Electrical data	
Operating voltage [V]	< 50 AC / < 60 DC
Protection class	III
Max. current load total [A]	4
Operating conditions	
Ambient temperature [°C]	-25...90
Protection	IP 67
Mechanical data	
Weight [g]	212.4
Dimensions [mm]	15 x 26.3 x 38
Materials	TPU
Moulded-body material	TPU
Material nut	brass, nickel-plated
Remarks	
Pack quantity	1 pcs.
Electrical connection	
Cable: 5 m, PUR, Halogen-free, black, Ø 5 mm, shielded; 4 x 0.34 mm <sup>2</sup>	
Electrical connection - socket	
Connector: 1 x M12, angled; Moulded body: TPU; Locking: brass, nickel-plated; Contacts: gold-plated; Tightening torque: 0.7...0.9 Nm; Shielded connection cable: screen not connected	

# E11542

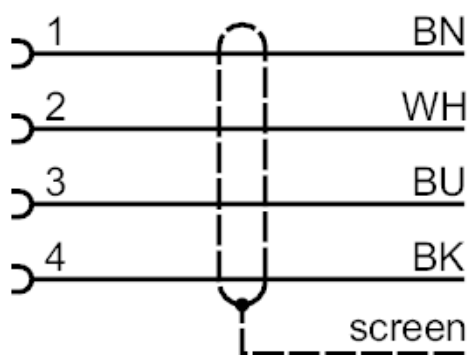


## Connecting cable with socket

ADOAH040MSS0005C04



### Connection



Core colours :

BK =  
BN =  
BU =  
WH =

black  
brown  
blue  
white