

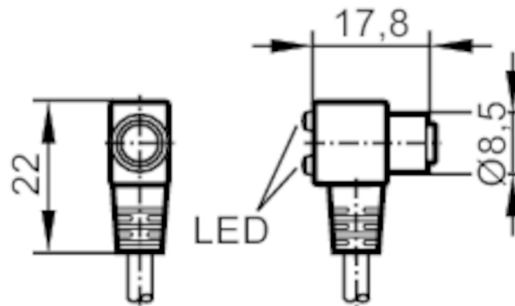
E10219



Connecting cable with socket

ADOAG032--S0005A03

Article no longer available - archive entry



Application

Special feature Halogen-free

Electrical data

Operating voltage [V] 10...30 DC

Outputs

Electrical design PNP

Operating conditions

Ambient temperature [°C] -25...85

Protection IP 65

Mechanical data

Weight [g] 146.6

Materials TPU transparent

Moulded-body material TPU, transparent

Displays / operating elements

Display	switching status	1 x LED, yellow
	operation	1 x LED, green

Remarks

Pack quantity 1 pcs.

Electrical connection

Cable: 5 m, PUR, Halogen-free, black, Ø 4.5 mm; 3 x 0.25 mm² (42 x Ø 0.1 mm)

Electrical connection - socket

Connector: 1 x M8, angled; Moulded body: TPU, transparent; Locking: snap-in

E10219

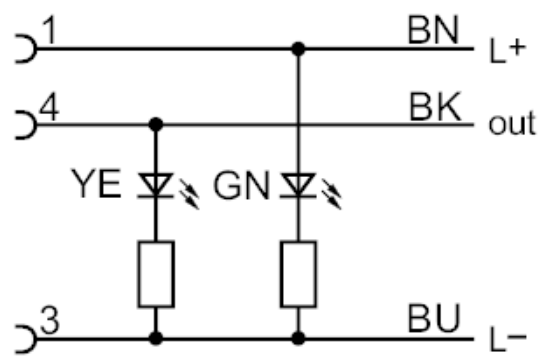


Connecting cable with socket

ADOAG032--S0005A03



Connection



Core colours :

BK = black
BN = brown
BU = blue