

# DN3012



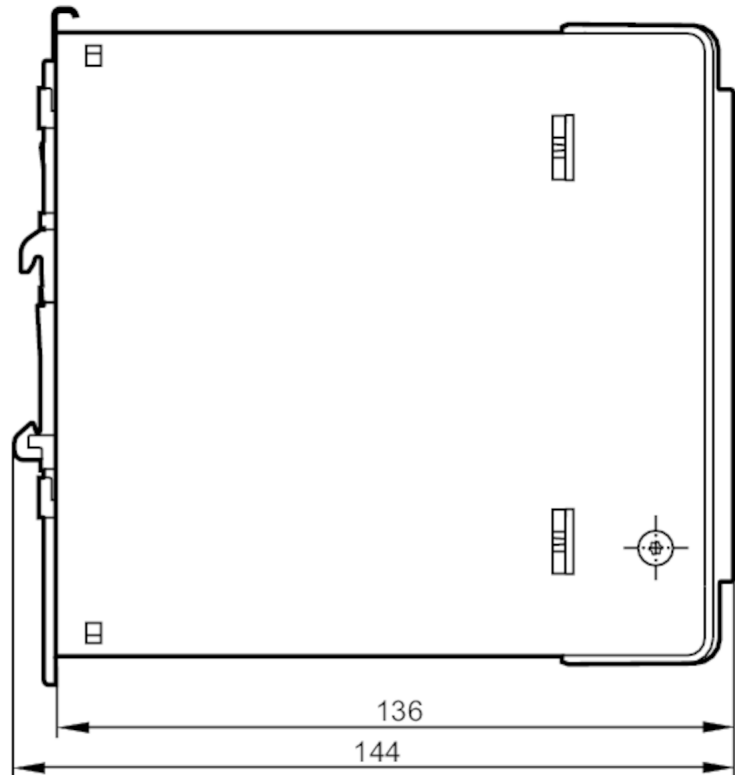
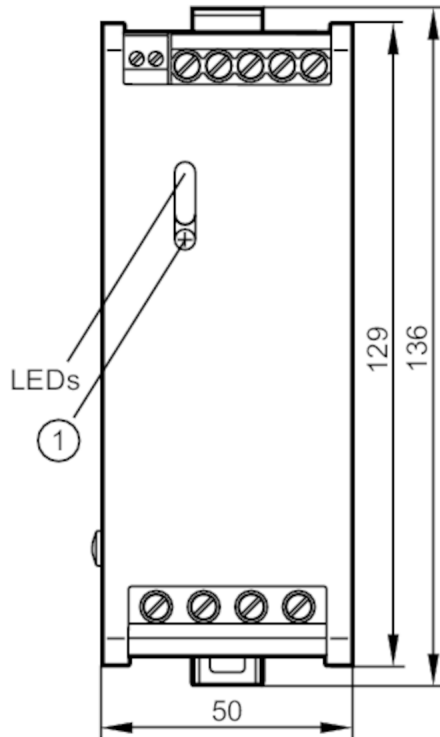
## Switched-mode power supply 24 V DC

PSU-1AC/24VDC-5A

Article no longer available - archive entry

Alternative articles: DN4012

When selecting an alternative article and accessories please note that technical data may differ!



1 potentiometer



# DN3012



## Switched-mode power supply 24 V DC

PSU-1AC/24VDC-5A

Electrical data		
Operating voltage tolerance	[%]	10
Nominal frequency AC	[Hz]	47...63
Input voltage range AC	[V]	100...240
Output voltage DC	[V]	24...28
Protection class		I; (IEC 61140)
Max. power-on delay time	[ms]	1000
Power-on delay time	[s]	< 1000
Output voltage	[V]	adjustable
Max. output current at min. output voltage	[A]	5
Number of output circuits		1
Max. residual ripple	[mV]	50
Efficiency (nominal voltage 230 V AC / 50 Hz)	[%]	88.9
External input protection		10 A; B
Derating	[W/K]	3% / K (> 60° C)
Mains buffering time (nominal voltage 230 V AC / 50 Hz)	[ms]	205
Outputs		
Short-circuit proof		yes
Overload protection		yes
Reliability of the DC OK signal		30 V DC (< 1 A)
Operating conditions		
Ambient temperature	[°C]	0...70
Protection		IP 20
Tests / approvals		
EMC		EN 61000-6-2
		EN 61000-6-3
MTTF	[years]	150
Mechanical data		
Weight	[g]	0.987
Type of mounting		rail; (TH35 (EN 60715); free space for convection cooling 20 mm)
Dimensions	[mm]	129 x 50 x 136
Materials		AlMg3; steel sheet; PC
Displays / operating elements		
Display	DC ok	1 x LED, green
	overload	1 x LED, red
Remarks		
Remarks		output voltage to SELV, PELV
Pack quantity		1 pcs.

# DN3012



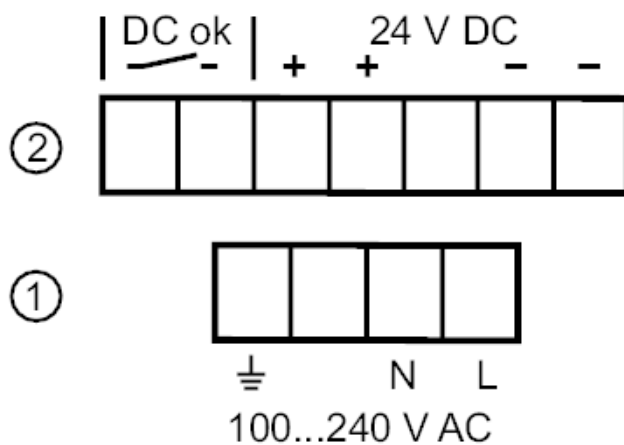
## Switched-mode power supply 24 V DC

PSU-1AC/24VDC-5A

### Electrical connection

screw terminals:

### Connection



- 1: primary
- 2: secondary