



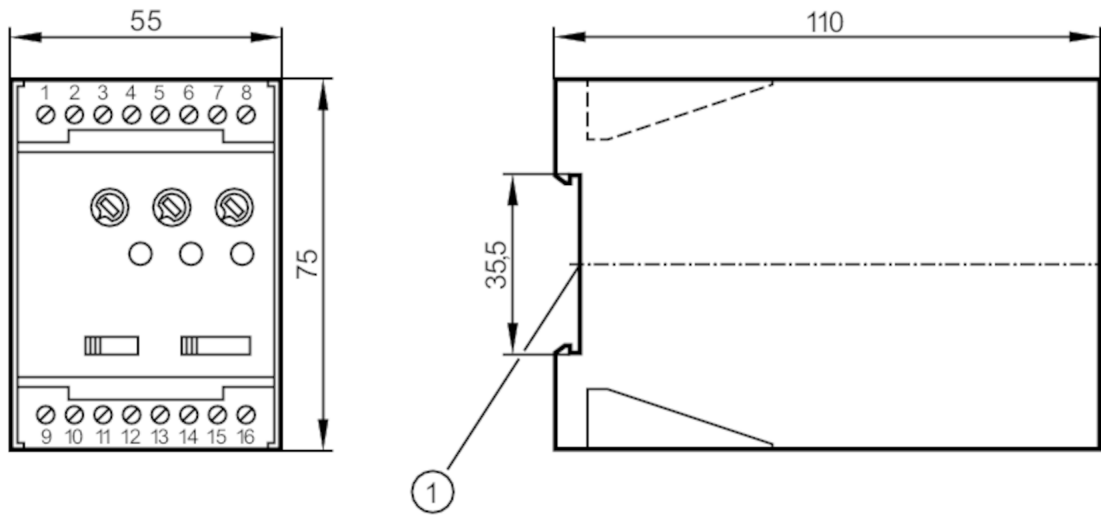
Evaluation unit for speed monitoring

D100/ 27-60VAC/DC

Article no longer available - archive entry

Alternative articles: DD0203

When selecting an alternative article and accessories please note that technical data may differ!



1 mounting on DIN rail



Product characteristics

Housing	housing for DIN rail mounting
Dimensions [mm]	75 x 55 x 110

Application

Application	universal evaluation of pulse sequences with regard to overspeed and underspeed; rotational speed monitoring
-------------	--

Electrical data

Nominal voltage AC [V]	27...60
Nominal voltage DC [V]	27...60
Nominal voltage tolerance [%]	< 10
Nominal voltage tolerance 2 [%]	20...10
Nominal frequency AC [Hz]	50...60
Auxiliary energy for sensors DC [V]	24; (≤ 30 mA)

Inputs / outputs

Number of inputs and outputs	Number of relay outputs: 1
------------------------------	----------------------------

Outputs

Number of relay outputs	1
Contact rating	6 A (250 V AC); B300, R300
Analogue current output [mA]	...200
Analogue voltage output [V]	...24



Evaluation unit for speed monitoring

D100/ 27-60VAC/DC

Measuring/setting range		
Setting range	[Imp/min]	5...5000
Accuracy / deviations		
Hysteresis	[% of Sr]	5...100
Repeatability	[% of Sr]	1
Response times		
Start-up delay	[s]	0.5...15
Software / programming		
Adjustment of the switch point		fine adjustment within the range with potentiometer
Operating conditions		
Ambient temperature	[°C]	-20...70
Protection		IP 40
Protection rating terminals		IP 20
Tests / approvals		
MTTF	[years]	308
Mechanical data		
Weight	[g]	289.6
Housing		housing for DIN rail mounting
Dimensions	[mm]	75 x 55 x 110
Materials		plastics
Displays / operating elements		
Display	switching status	LED, green
	operation	1 x LED, green

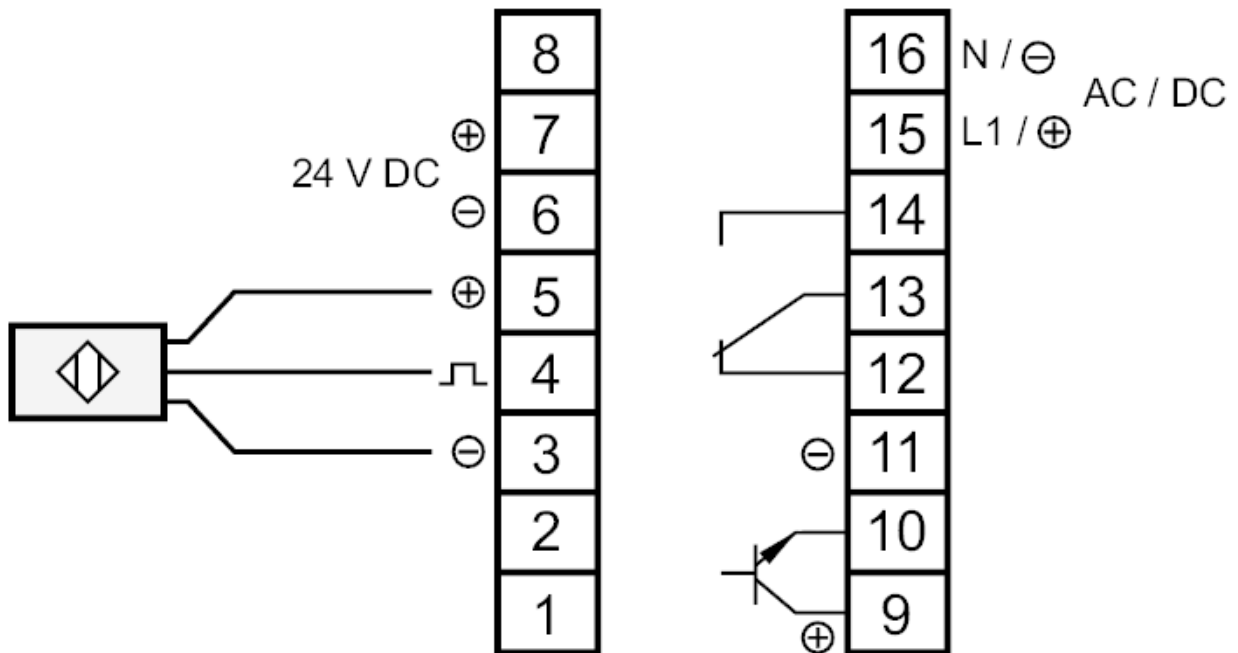


Evaluation unit for speed monitoring

D100/ 27-60VAC/DC

Electrical connection

Connection



01:	not used
02:	not used
03:	DC Sensor supply (-)
04:	sensor signal pnp
05:	DC Sensor supply (+)
06:	DC supply voltage (-)
07:	DC supply voltage (+)
08:	not used
09:	transistor output current supply (+)
10:	transistor output pnp
11:	transistor output current supply (-)
12:	relay normally closed
13:	relay common
14:	relay normally open
15:	AC/DC supply voltage (L/+)
16:	AC/DC supply voltage (N/-)