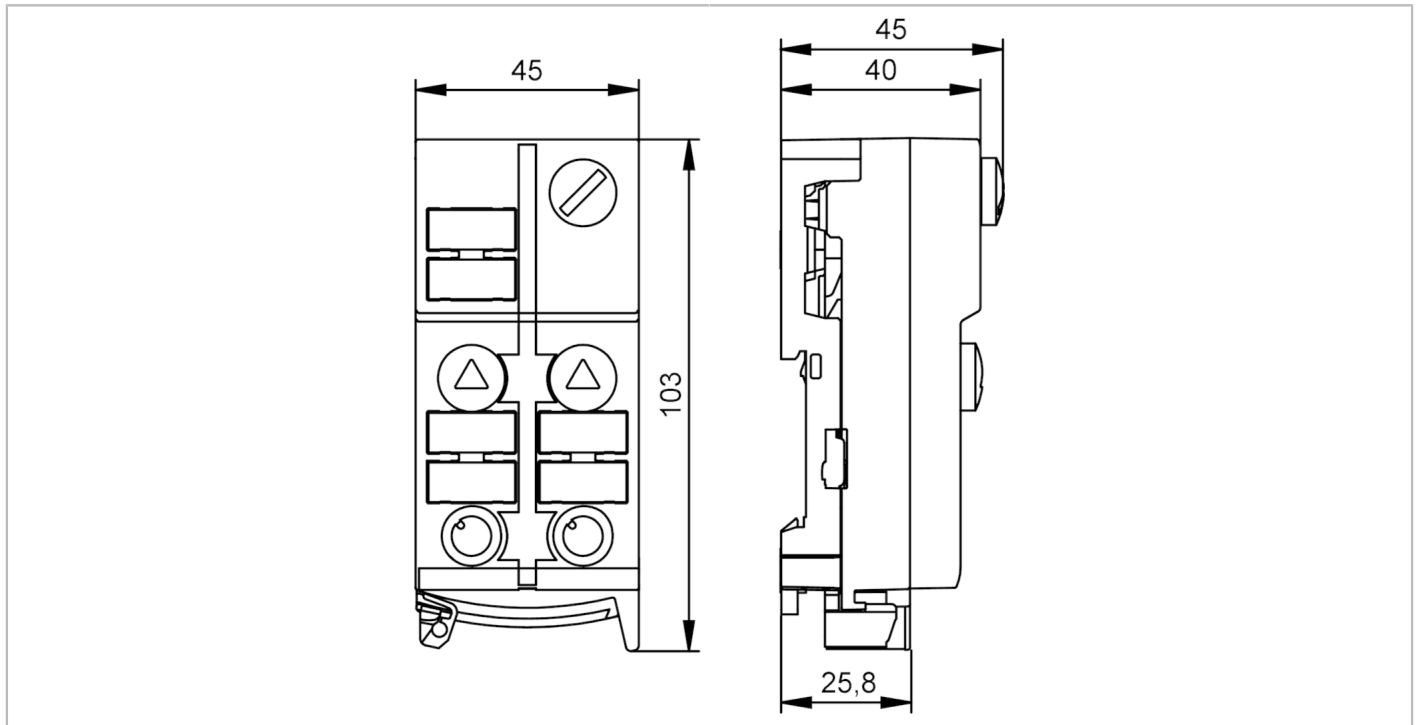


AC5226



AS-Interface ClassicLine module with quick mounting technology

ClassicLine 4AI C AUX IP67



Product characteristics	
Number of inputs and outputs	Number of analogue inputs: 4
Application	
Design	housing for DIN rail mounting
Application	field installation
Electrical data	
Operating voltage [V]	18...31.6 DC
Max. current consumption from AS-i [mA]	50
Reverse polarity protection	yes
Max. current load total [A]	2
Additional voltage supply [V]	16...30 DC; (AUX)
Max. current consumption from additional supply [mA]	2000
Inputs / outputs	
Number of inputs and outputs	Number of analogue inputs: 4
Inputs	
Sensor supply of the inputs	AUX
Number of analogue inputs	4; (connection of 2-wire, 3-wire and 4-wire sensors)
Analogue input (current) [mA]	4...20
Max. voltage drop across load for nominal voltage [V]	10
Analogue inputs protected against short circuits	yes
Resolution of analogue input	12 bit



AS-Interface ClassicLine module with quick mounting technology

ClassicLine 4AI C AUX IP67

Accuracy / deviations		
Accuracy	0.5; (% of the final value of the measuring range; tolerance under the influence of electromagnetic interference: $\pm 1\%$ of the final value of the measuring range)	
Operating conditions		
Ambient temperature	[°C]	-25...70
Storage temperature	[°C]	-25...70
Max. relative air humidity	[%]	90; (non condensing)
Max. height above sea level	[m]	2000
Protection		IP 67
Tests / approvals		
EMC	EN 50295	
	EN 61000-6-2	
	EN 61000-6-3	
MTTF	[years]	105
UL approval	voltage supply	Class 2
AS-i classification		
AS-i version		2.11; 3.0
Extended addressing mode		no
AS-i master profile		M3; M4
AS-i profile		S-7.3.E
AS-i I/O configuration	[hex]	7
AS-i ID code	[hex]	3.E
AS-i certificate		123501
Mechanical data		
Weight	[g]	188
Housing		rectangular
Type of mounting		quick mounting; AS-i flat cables directly connectable; mounting on DIN rail; (TH35 (EN 60715))
Dimensions	[mm]	103 x 45 x 44.7
Materials		PA; piercing contacts: CuSn6 nickel-plated and tin-plated
Displays / operating elements		
Display	analogue signal	LED, yellow channels AI1...AI4
	operation	LED, green AS-i, AUX
	errors	LED, red
Electrical connection		
Module connection		Flat cables
Accessories		
Items supplied		lower part
Accessories (optional)		Protective cap: M12, E73004
Remarks		
Remarks	<p>There is an electrical separation between AS-i and AUX and between AS-i and the analogue inputs.</p> <p>The actuator supply on pins 1 and 3 can be used to supply the sensors.</p> <p>3-wire connection possible via external link.</p>	
Pack quantity		1 pcs.

AC5226



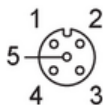
AS-Interface ClassicLine module with quick mounting technology

ClassicLine 4AI C AUX IP67

Electrical connection

quick mounting technology for AS-i flat cable: ; three orientations possible

Connector: M12; coding: A; Contacts: 5



1	Sensor supply +24V
2	analogue input AI +
3	Sensor supply 0V
4	analogue input AI -
5	functional earth