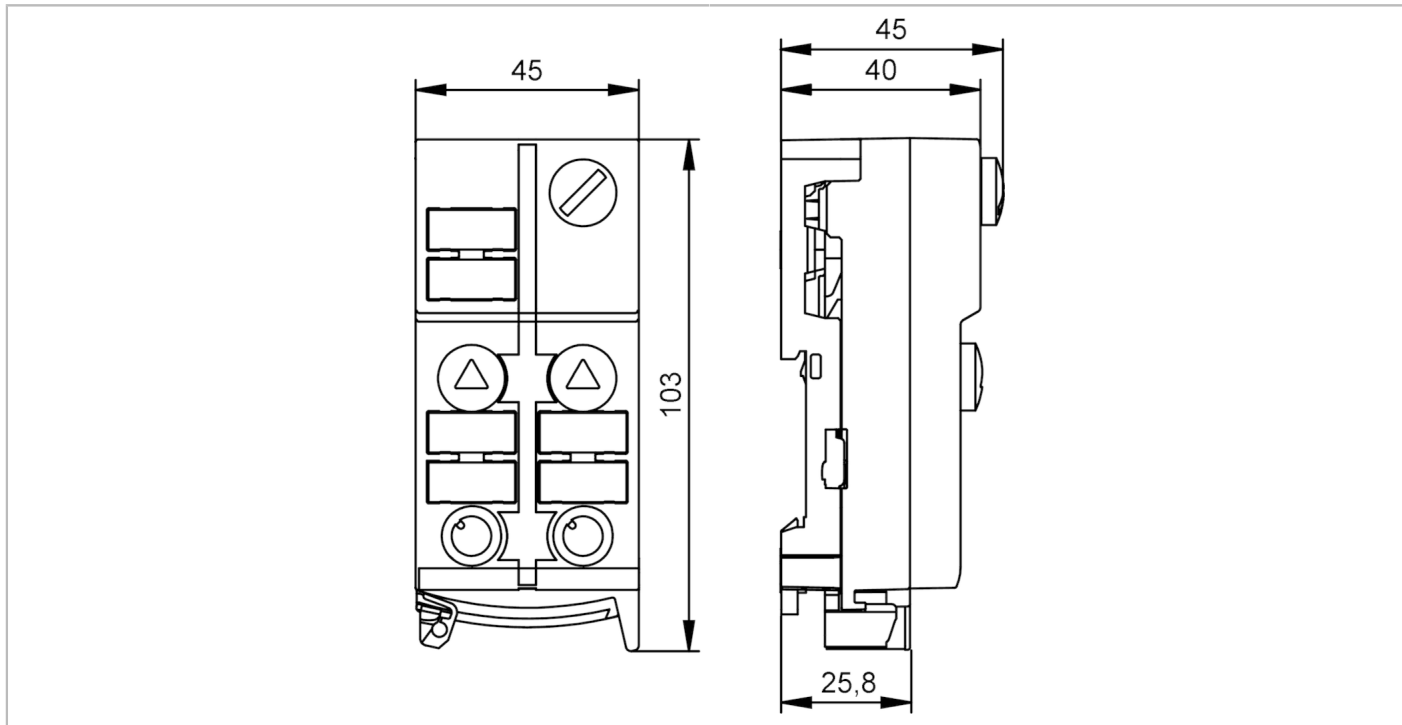


AC5218



AS-Interface ClassicLine module with quick mounting technology

ClassicLine 2AO C IP67



Product characteristics	
Number of inputs and outputs	Number of analogue outputs: 2
Application	
Design	housing for DIN rail mounting
Application	field installation
Electrical data	
Operating voltage [V]	18...31.6 DC
Max. current consumption from AS-i [mA]	50
Reverse polarity protection	yes
Additional voltage supply [V]	16...30 DC; (AUX)
Max. current consumption from additional supply [mA]	2000
Integrated watchdog	yes
Inputs / outputs	
Number of inputs and outputs	Number of analogue outputs: 2
Outputs	
Number of analogue outputs	2; (connection of 2-wire, 3-wire and 4-wire actuators)
Analogue current output [mA]	4...20
Max. voltage drop across load for nominal current [V]	10
Resolution of analogue output	12 bit
Accuracy / deviations	
Measuring error	0,5



AS-Interface ClassicLine module with quick mounting technology

ClassicLine 2AO C IP67

[% of the final value]

Operating conditions	
Ambient temperature	[°C] -25...70
Storage temperature	[°C] -25...70
Max. relative air humidity	[%] 90; (non condensing)
Max. height above sea level	[m] 2000
Protection	IP 67
Pollution degree	2

Tests / approvals	
EMC	EN 50295
	EN 61000-6-2
	EN 61000-6-3
MTTF	[years] 125
UL approval	voltage supply Class 2

AS-i classification	
AS-i version	2.11; 3.0
Extended addressing mode	no
AS-i master profile	M3; M4
AS-i profile	S-7.3.5
AS-i I/O configuration	[hex] 7
AS-i ID code	[hex] 3.5
AS-i certificate	124001

Mechanical data	
Weight	[g] 183
Housing	rectangular
Type of mounting	quick mounting; AS-i flat cables directly connectable; mounting on DIN rail; (TH35 (EN 60715))
Dimensions	[mm] 103 x 45 x 44.7
Materials	PA; piercing contacts: CuSn6 nickel-plated and tin-plated

Displays / operating elements		
Display	analogue signal	LED, yellow channels AO1...AO2
	operation	LED, green AS-i, AUX
	errors	LED, red

Electrical connection	
Module connection	Flat cables

Accessories	
Items supplied	lower part
Accessories (optional)	Protective cap: M12, E73004

Remarks	
Remarks	There is an electrical separation between AS-i and AUX and between AS-i and the analogue outputs. The actuator supply on pins 1 and 3 can be used to supply the actuators. 3-wire connection possible via external link.
Pack quantity	1 pcs.

AC5218



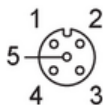
AS-Interface ClassicLine module with quick mounting technology

ClassicLine 2AO C IP67

Electrical connection

quick mounting technology for AS-i flat cable: ; three orientations possible

Connector: M12; coding: A; Contacts: 5



	analogue output
1	actuator supply + 24 V
2	analogue output AO +
3	actuator supply 0 V
4	analogue output AO -
5	functional earth FE