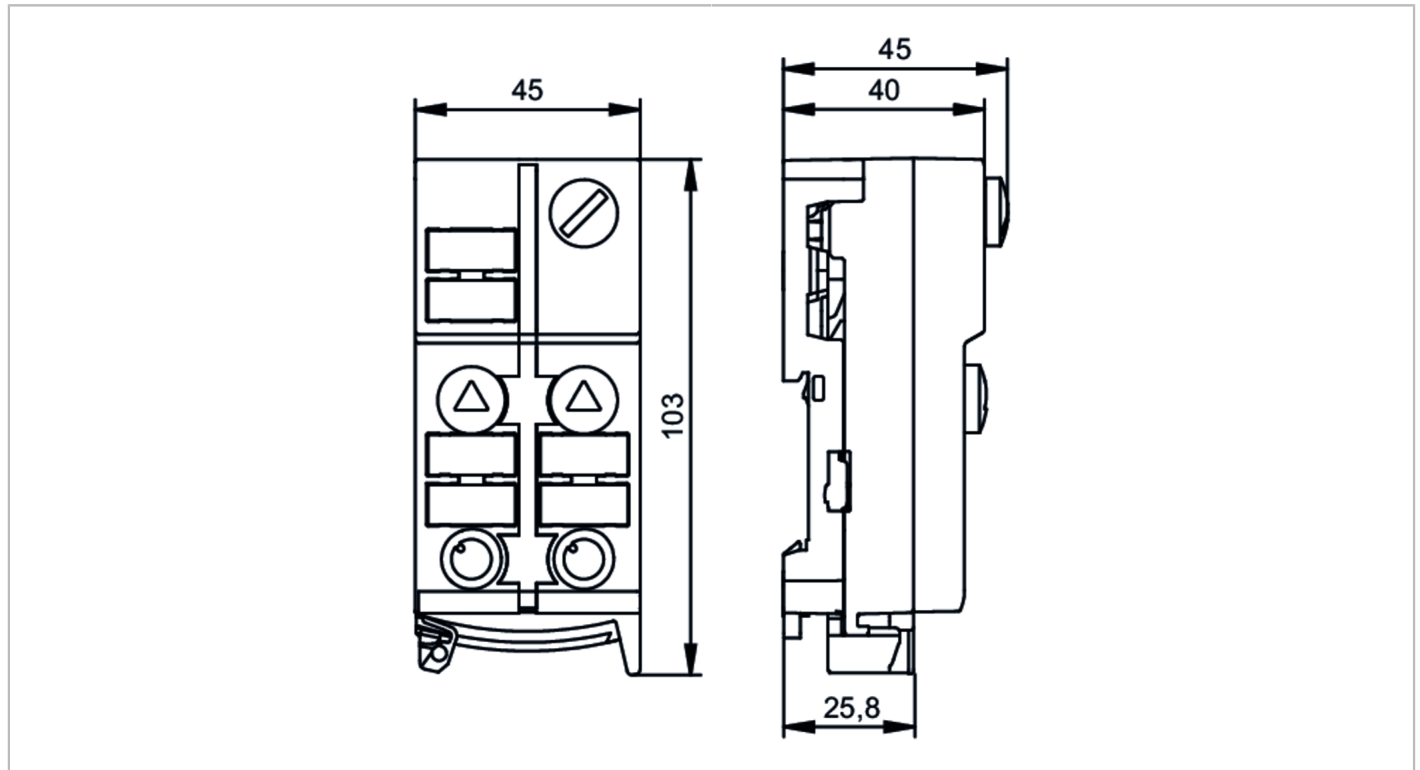


AC505S



Safe AS-Interface ClassicLine module with quick mounting technology

ClassicLine 2SI 2LO



Application	
Design	housing for DIN rail mounting
Application	AS-i Safety at Work
Electrical data	
Operating voltage [V]	26.5...31.6 DC; ("supply class 2" to cULus)
Max. current consumption from AS-i [mA]	280
Integrated watchdog	yes
Inputs / outputs	
Number of inputs and outputs	Number of digital inputs: 2
Inputs	
Number of digital inputs	2; (2 x safety input)
Input circuit of digital inputs	PNP/NPN
Sensor supply of the inputs	AS-i
Power supply [V]	18...30
Max. total current rating of inputs [mA]	200
Input current High [mA]	12
Input current Low [mA]	12
Short-circuit detection	yes
Cross-fault monitoring	yes
Short-circuit proof	yes

AC505S



Safe AS-Interface ClassicLine module with quick mounting technology

ClassicLine 2SI 2LO

Outputs		
Output signal		LED: signals
Actuator supply outputs		AS-i
Operating conditions		
Ambient temperature	[°C]	-25...55
Protection		IP 67
Tests / approvals		
EMC	EN 62026-2	
Safety classification		
Complies with the requirements		ISO 13849-1 category 4, PL e IEC 61508 SIL 3
Mission time TM	[h]	175200
Mission time TM (additional indication)		20 years
PFH	[1/h]	1,3 E-11
AS-i classification		
AS-i version		2.11; 3.0
AS-i addressing		addressing socket
Extended addressing mode		no
AS-i master profile		M3; M4
AS-i profile		S-7.B.0
AS-i I/O configuration	[hex]	7
AS-i ID code	[hex]	B.0
AS-i certificate		97101
Mechanical data		
Weight	[g]	289.8
Housing		rectangular
Type of mounting		AS-i flat cables directly connectable; mounting on DIN rail; (TH35 (EN 60715))
Dimensions	[mm]	103 x 45 x 44.7
Materials		housing: PA; piercing contacts: CuSn6 nickel-plated and tin-plated
Displays / operating elements		
Display	operation	1 x LED, green
	errors	1 x LED, red
	switching status	1 x LED, yellow
	alarm	1 x LED, red
Electrical connection		
Module connection		Flat cables
Accessories		
Items supplied		lower part
Accessories (optional)		Addressing cable:, E70213
		Protective cap: M12, E73004
Remarks		
Remarks		PL e, cat. 4, SIL 3 only if the fault exclusions described in the manual are used
Pack quantity		1 pcs.



Safe AS-Interface ClassicLine module with quick mounting technology

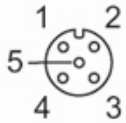
ClassicLine 2SI 2LO

Electrical connection

quick mounting technology for AS-i flat cable: ; three orientations possible

Electrical connection - socket SI-1/2

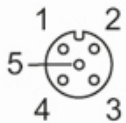
Connector: 1 x M12; coding: A; Maximum cable length: 10 m



1 (l+)	L+	
2 (IN1 (p))	IN	DI (I-1 (p))
3 (l-)	L-	
4 (IN2 (n))	IN	DI (I-2(n); internally bridged socket SI-2 pin 1)
5	n.c.	

Electrical connection - socket SI-2

Connector: 1 x M12; coding: A; Maximum cable length: 10 m



1 (IN2 (n))	IN	DI (I-2(n); internally bridged socket SI-1/2 pin 4)
2 (l-)	L-	
3	n.c.	
4 (l+)	L+	
5	n.c.	

DI: digital input; IN: input; n.c.: not used