

AC5012



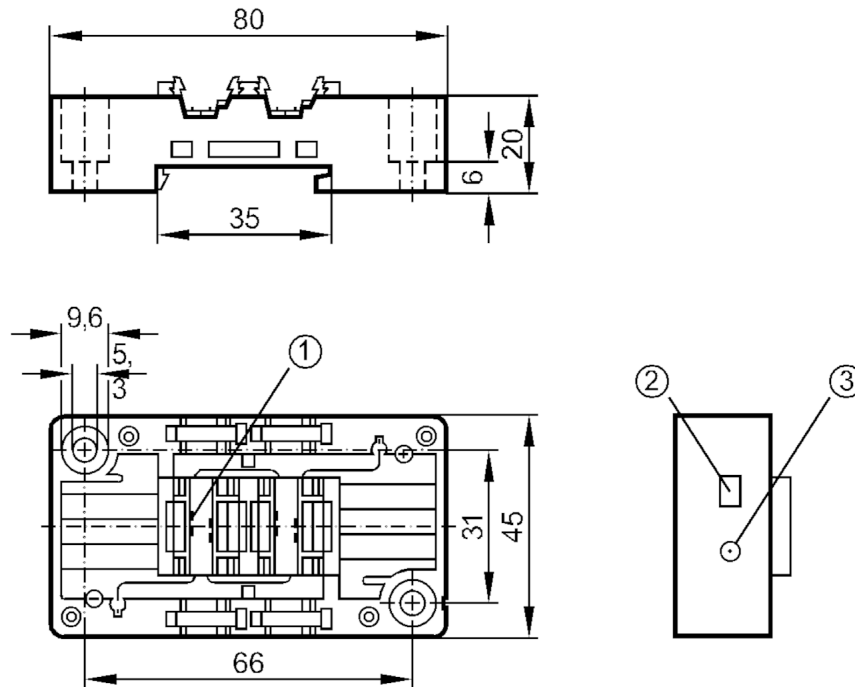
Lower part for AS-Interface module

EMS-Base FC Addr.-socket V2A

Article no longer available - archive entry

Alternative articles: AC5014

When selecting an alternative article and accessories please note that technical data may differ!



- 1 contact pins
- 2 panel for labelling
- 3 addressing socket



Electrical data

Operating voltage [V] 26.5...31.6 DC

Outputs

Electrical design AS-i

Contact rating < 2 A

Operating conditions

Ambient temperature [°C] -25...85

Protection IP 67; (depending on the upper part used: IP 20 / IP 65 / IP 67)

AS-i classification

AS-i addressing addressing socket

Mechanical data

Type of mounting mounting on DIN rail and panel

Dimensions [mm] 45 x 80 x 20

Materials PBT; stainless steel (1.4305 / 303)

Remarks

Pack quantity 1 pcs.

AC5012



Lower part for AS-Interface module

EMS-Base FC Addr.-socket V2A

Electrical connection

contact pins in module upper part :

quick mounting technology for AS-i flat cable: