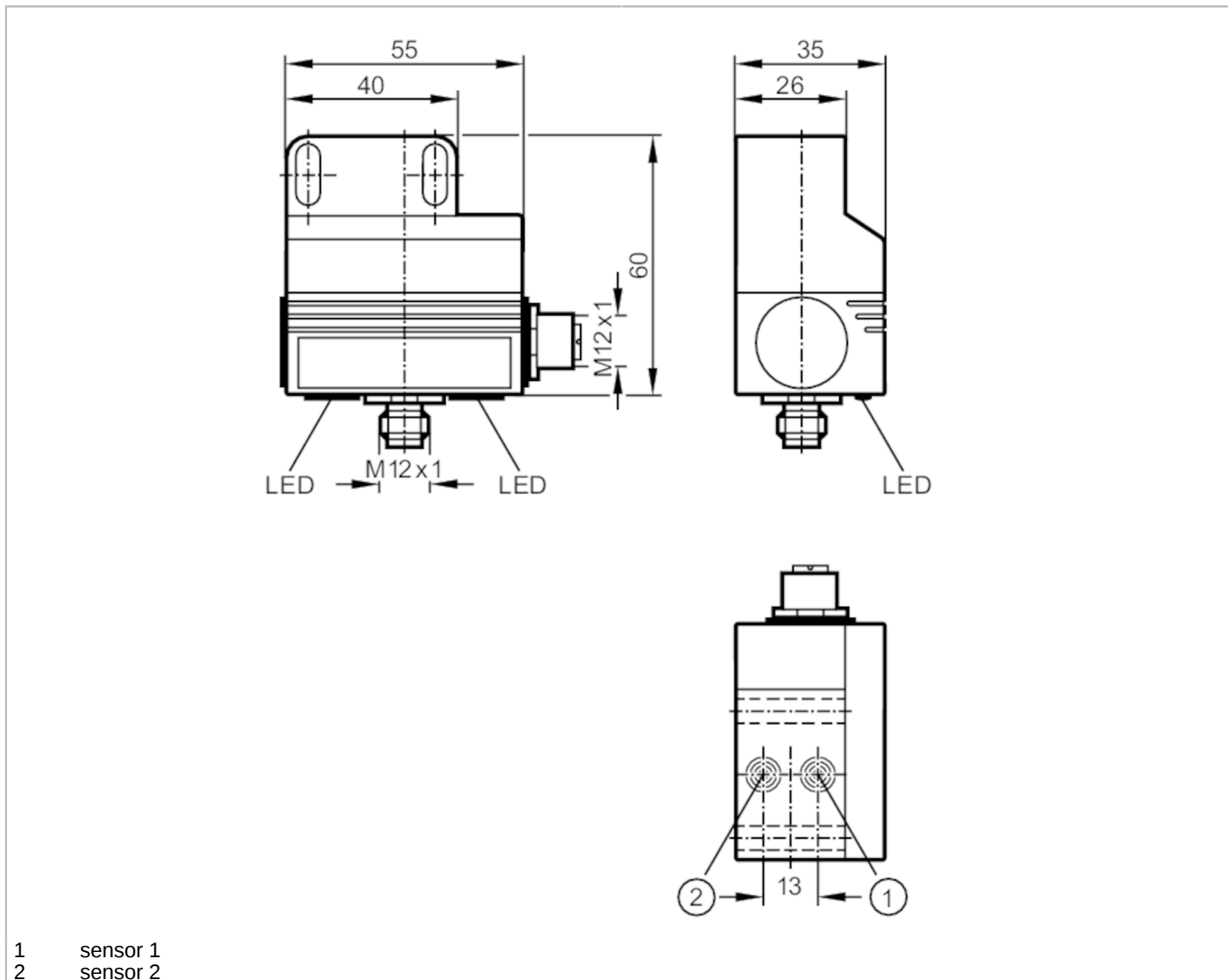


AC2316



AS-Interface dual sensor for pneumatic quarter-turn actuators

DUAL SENSOR T5 2SI 1DO T M12



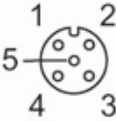
Product characteristics		
Electrical design		AS-i
Sensing range	[mm]	4
Housing		rectangular
Dimensions	[mm]	55 x 60 x 35
Electrical data		
Operating voltage	[V]	26.5...31.6 DC; (cULus - Class 2 source required)
Current consumption	[mA]	< 160
Outputs		
Electrical design		AS-i
Permanent current rating of switching output DC	[mA]	100
Monitoring range		
Sensing range	[mm]	4

AC2316



AS-Interface dual sensor for pneumatic quarter-turn actuators

DUAL SENSOR T5 2SI 1DO T M12

Operating conditions		
Ambient temperature	[°C]	-20...70
Protection		IP 67
Tests / approvals		
EMC		EN 50295
		EN 61000-6-2
MTTF	[years]	310
AS-i classification		
AS-i version		2.1
Extended addressing mode		yes
AS-i I/O configuration	[hex]	7
AS-i ID code	[hex]	A.E
AS-i certificate		75002
Mechanical data		
Weight	[g]	179
Housing		rectangular
Mounting		non-flush mountable
Dimensions	[mm]	55 x 60 x 35
Material		PBT
Displays / operating elements		
Display	Switching status	2 x LED, yellow
Accessories		
Items supplied		reinforcement bracket: 1 x (39,5 x 17,5 x 1 mm), E11310
		socket head screws: 2 x (M5 x 35 mm)
		washers: 2
Remarks		
Pack quantity		1 pcs.
Electrical connection		
Electrical connection - Socket		
Connector: 1 x M12; coding: A; Locking: stainless steel (1.4305 / 303)		
		
Outputs		
3	External voltage -	
4	Switching output 1 +	

AC2316



AS-Interface dual sensor for pneumatic quarter-turn actuators

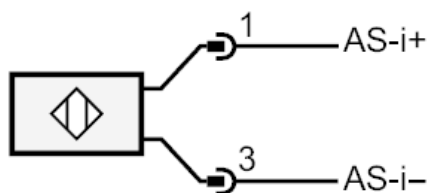
DUAL SENSOR T5 2SI 1DO T M12

Electrical connection - plug

Connector: 1 x M12; coding: A; Locking: stainless steel (1.4305 / 303)



Connection



Electrical connection

1	AS-i +
3	AS-i -