



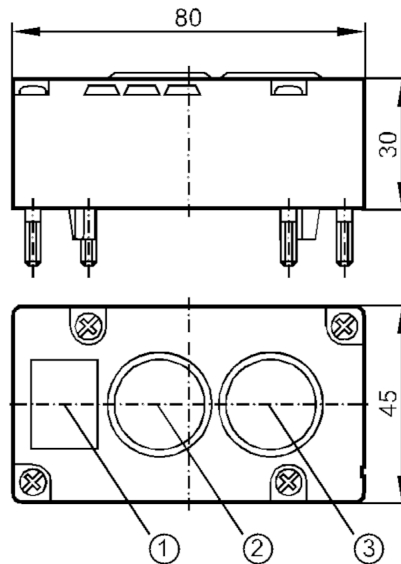
AS-Interface illuminated pushbutton module

ACTIVE MODULE UPPER PART

Article no longer available - archive entry

Alternative articles: AC2088

When selecting an alternative article and accessories please note that technical data may differ!



- 1 panel for labelling
- 2 pushbutton / LED green
- 3 pushbutton / LED red



Application	
Application	field installation
Electrical data	
Operating voltage [V]	26.5...31.6 DC
Max. current consumption from AS-i [mA]	55
Inputs	
Sensor supply of the inputs	AS-i
Operating conditions	
Ambient temperature [°C]	-25...60
Protection	IP 67
Tests / approvals	
EMC	EN 50295
AS-i classification	
AS-i version	2.1
Extended addressing mode	no
AS-i master profile	M2; M3; M4

AC2018



AS-Interface illuminated pushbutton module

ACTIVE MODULE UPPER PART

AS-i profile	S-3.F.F				
AS-i I/O configuration [hex]	3				
AS-i ID code [hex]	F.F				
AS-i certificate	04801				
Assignment of the data bits	data bit	D0	D1	D2	D3
	pushbutton	2	1	-	-
	LED	-	-	2	1

Mechanical data

Weight [g]	97			
Housing	rectangular			
Type of mounting	AS-i interface to FC and SC lower parts			
Dimensions [mm]	80 x 45 x 30			
Materials	housing: PBT			

Remarks

Remarks	The pushbuttons (EAO type 84) provide protection against accidental contact. Housing and pushbuttons can be labelled.			
Pack quantity	1 pcs.			

Electrical connection

contact pins to module lower part, FK / PG: