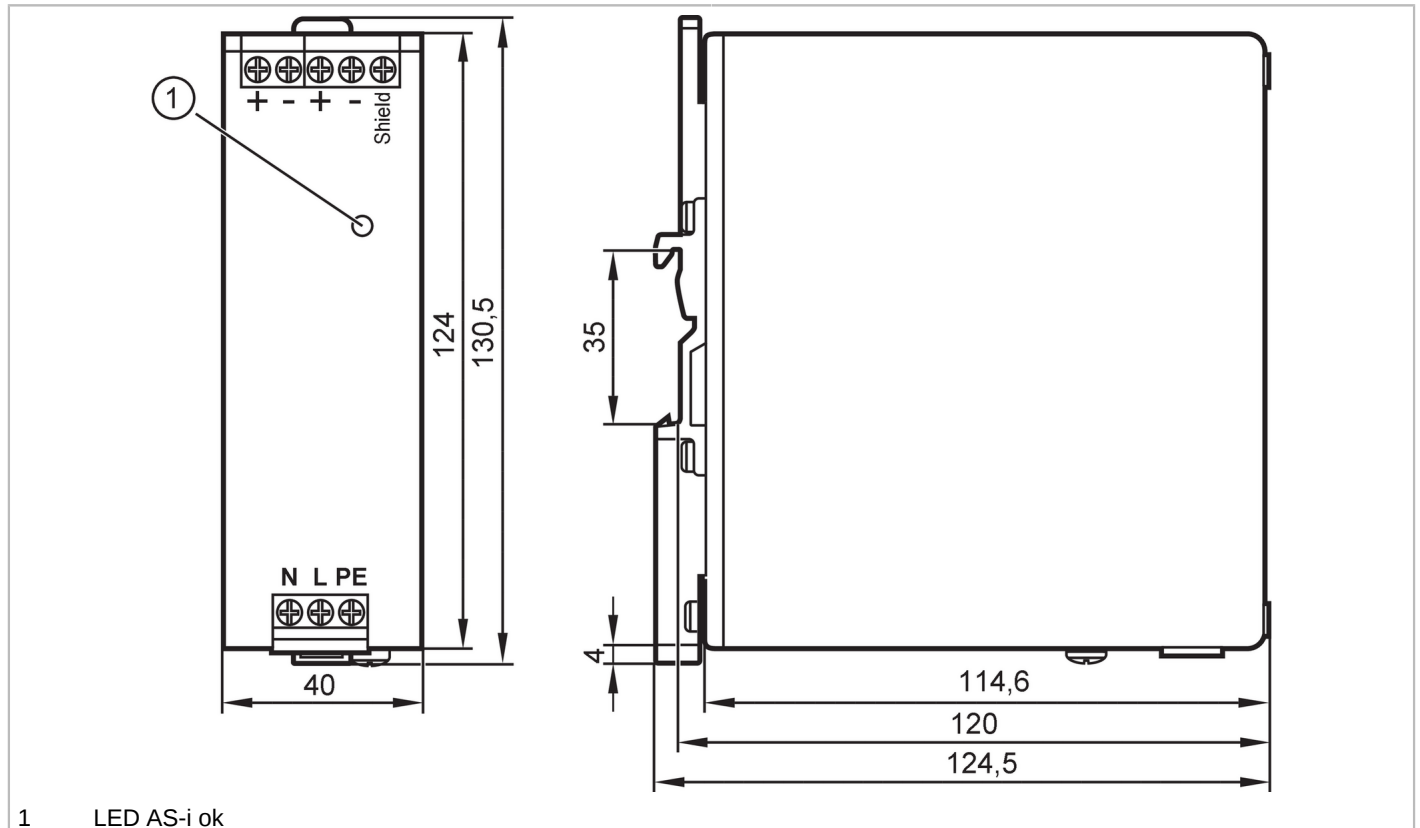


AC1254



AS-Interface power supply

PSU-1AC/ASi-4A



1 LED AS-i ok



Application	
Design	housing for DIN rail mounting
Electrical data	
Frequency AC	[Hz] 47...64
Operating voltage tolerance	[%] 10
Operating voltage	[V] automatic range selection
Nominal voltage AC	[V] 110 / 230
Input voltage range AC	[V] 100...120 / 200...240
Protection class	I
Overvoltage protection	yes; (< 36 V)
Max. power-on delay time	[ms] 900
Output voltage AS-i	[V] 30.5
Output power (permanent)	[W] 122
Output power (peak)	[W] 134
Note on output power (peak)	[W] briefly to load bus capacities after power on
Power factor (nominal voltage 120 V AC / 60 Hz)	0.56
Power factor (nominal voltage 230 V AC / 50 Hz)	0.47
Power reserve	[%] 10
Number of output circuits	1
Output current AS-i	[A] 4

AC1254



AS-Interface power supply

PSU-1AC/ASI-4A

Max. residual ripple	[mV]	50
Switch-on peak current (nominal voltage 120 V AC / 60 Hz)	[A]	3
Switch-on peak current (nominal voltage 230 V AC / 50 Hz)	[A]	3
Inrush current limitation		yes
Efficiency (nominal voltage 120 V AC / 60 Hz)	[%]	88
Efficiency (nominal voltage 230 V AC / 50 Hz)	[%]	89.3
External input protection		≤ B-10 A / ≤ C-6 A
Derating	[W/K]	3 (60...70 °C)
Mains buffering time (nominal voltage 120 V AC / 60 Hz)	[ms]	70
Mains buffering time (nominal voltage 230 V AC / 50 Hz)	[ms]	70
Input current (nominal voltage 120 V AC / 60 Hz)	[A]	2.05
Input current (nominal voltage 230 V AC / 50 Hz)	[A]	1.23
Power loss (nominal voltage 120 V AC / 60 Hz)	[W]	16.6
Power loss (nominal voltage 230 V AC / 50 Hz)	[W]	14.6
Integrated data decoupling		yes
Back feeding protection	[V]	35

Outputs

Short-circuit proof		yes
Overload protection		yes
Overload performance		output current constant
Parallel connection of outputs possible		no
Series connection of outputs possible		no

Operating conditions

Ambient temperature	[°C]	-25...70
Note on ambient temperature		observe the free space for convection (see operating instructions)
Storage temperature	[°C]	-40...85
Max. relative air humidity	[%]	95; (IEC 60068-2-30)
Protection		IP 20
Pollution degree		2; (IEC 62103: conductive soiling not permitted)

Tests / approvals

EMC	EN 61000-6-1	
	EN 61000-6-2	
	EN 61000-6-4	
Vibration resistance	IEC 60068-2-6	± 1,6 mm 2...17,8 Hz / 2 g 17,8...500 Hz
Shock resistance	IEC 60068-2-27	30 g 6 ms / 20 g 11 ms

AC1254



AS-Interface power supply

PSU-1AC/ASI-4A

MTTF	[years]	90
------	---------	----

AS-i classification

AS-i certificate	98601
------------------	-------

Mechanical data

Weight	[g]	625.5
Housing		rectangular
Type of mounting		mounting on DIN rail; (TH35 (EN 60715))
Dimensions	[mm]	130.5 x 40 x 124.5
Materials		steel sheet

Displays / operating elements

Display	AS-i voltage	LED, green
---------	--------------	------------

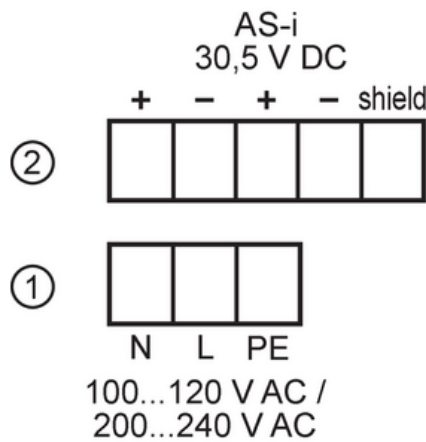
Remarks

Pack quantity	1 pcs.
---------------	--------

Electrical connection

screw terminals:

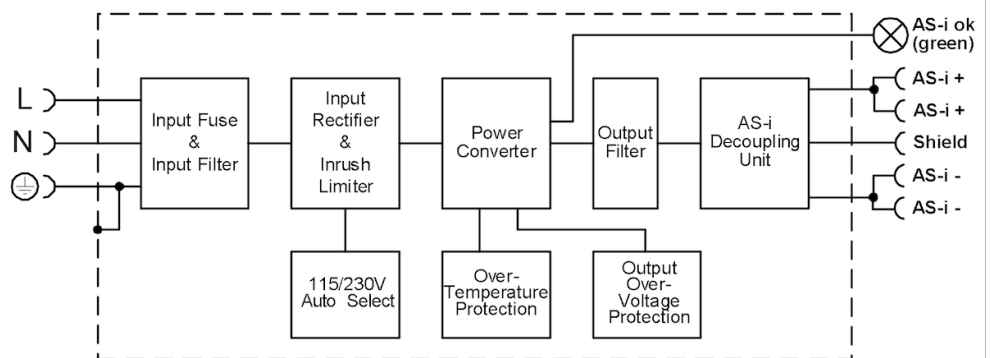
Connection



- 1: primary
- 2: secondary

Diagrams and graphs

block diagram



AC1254

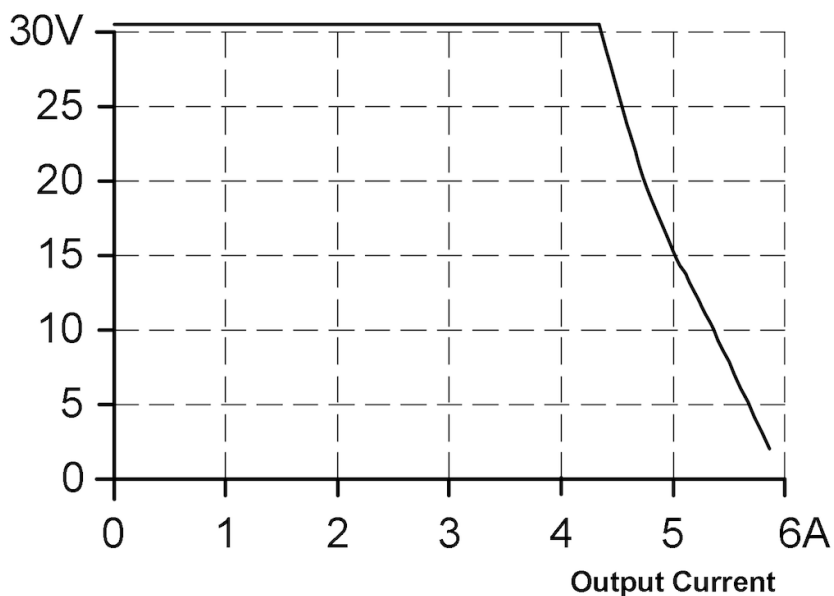
AS-Interface power supply

PSU-1AC/ASi-4A



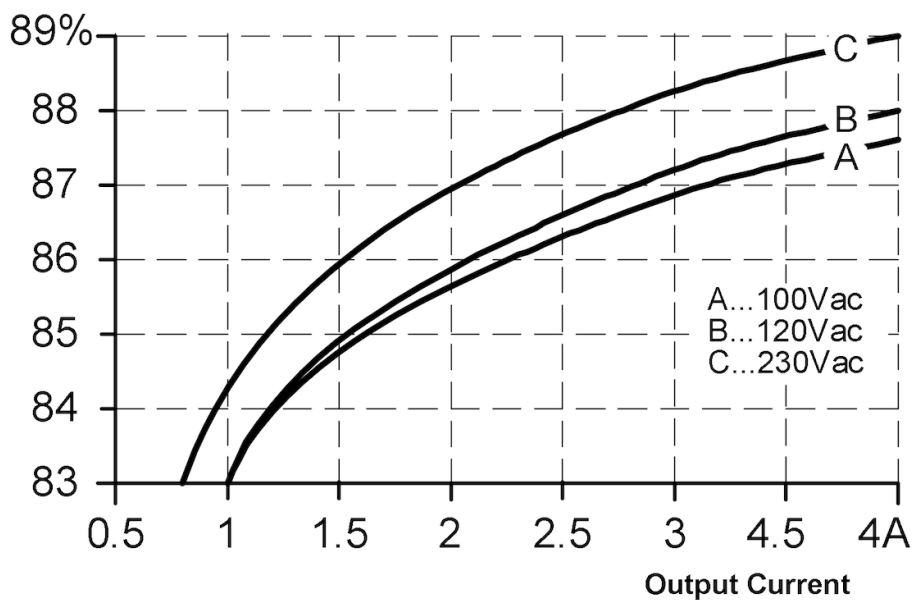
output characteristics

Output Voltage



characteristic curve for degree of efficiency / power loss

Efficiency



AC1254

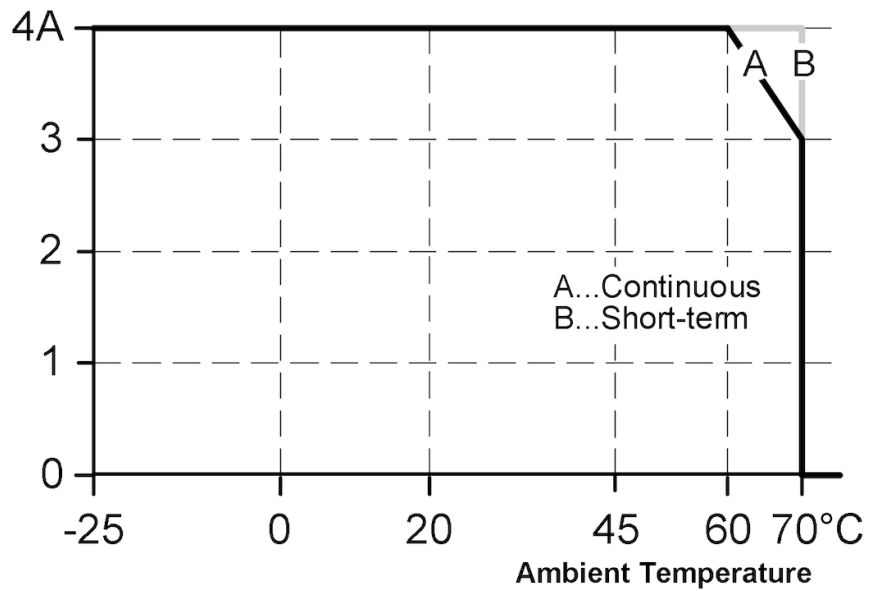
AS-Interface power supply

PSU-1AC/ASi-4A



characteristic line for derating

Allowed Output Current



characteristic line for mains buffering time

Hold-up Time

