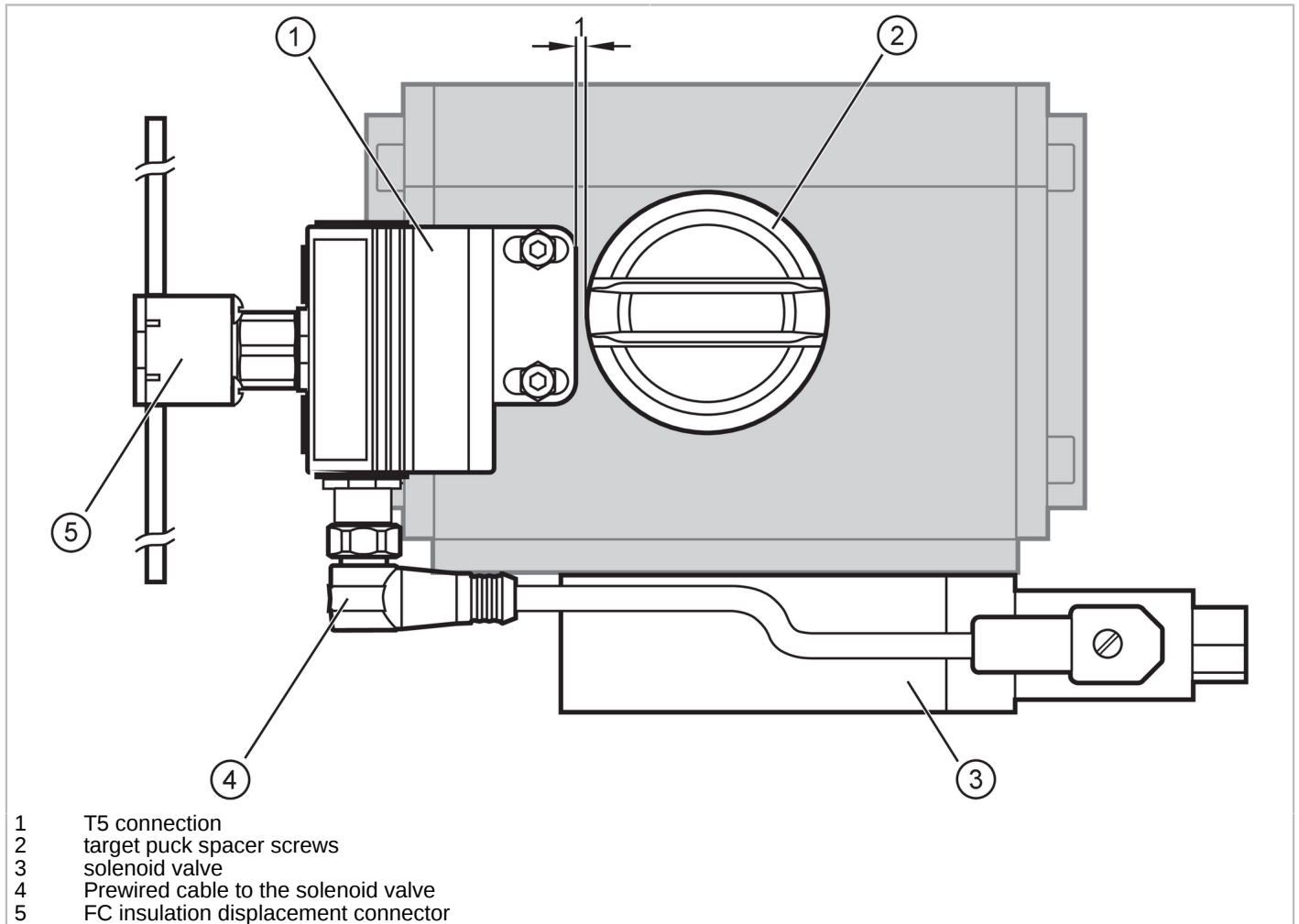




AS-Interface automation set for pneumatic valve actuators

Added Value package AS-i T5



Product characteristics	
Output function	PNP
Application	
Application	direct open and close valve control
Components	dual sensor for actuator feedback: 1, AC2316 Target pucks: 1, E12517 solenoid valve: 1, ZJF124 silencer: 2, 780780N Connection cable: 1, E10844 Flat cable insulation displacement connector: 1, E75471
Electrical data	
Max. current consumption from AS-i [mA]	160
Operating voltage AUX DC [V]	26.5...31.6; ("supply class 2" to cULus)
Inputs / outputs	
Number of inputs and outputs	Number of digital inputs: 2; Number of digital outputs: 1
Inputs	
Number of digital inputs	2
Outputs	
Number of digital outputs	1

AC0019



AS-Interface automation set for pneumatic valve actuators

Added Value package AS-i T5

Output function	PNP
-----------------	-----

AS-i classification

AS-i version	2.1
AS-i profile	S-7.A.E
AS-i I/O configuration [hex]	7
AS-i ID code [hex]	A.E

Mechanical data

Weight [g]	853.5
Mounting	non-flush mountable
Hole spacing [mm]	80
Shaft height of valve drive [mm]	30

Remarks

Pack quantity	1 pcs.
---------------	--------

Electrical connection - plug

Connector: 1 x M12; coding: A



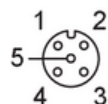
Connection

Connection

1	AS-i +
3	AS-i -

Electrical connection - socket

Connector: 1 x M12; coding: A



Outputs

3	external voltage -
4	switching output 1 +