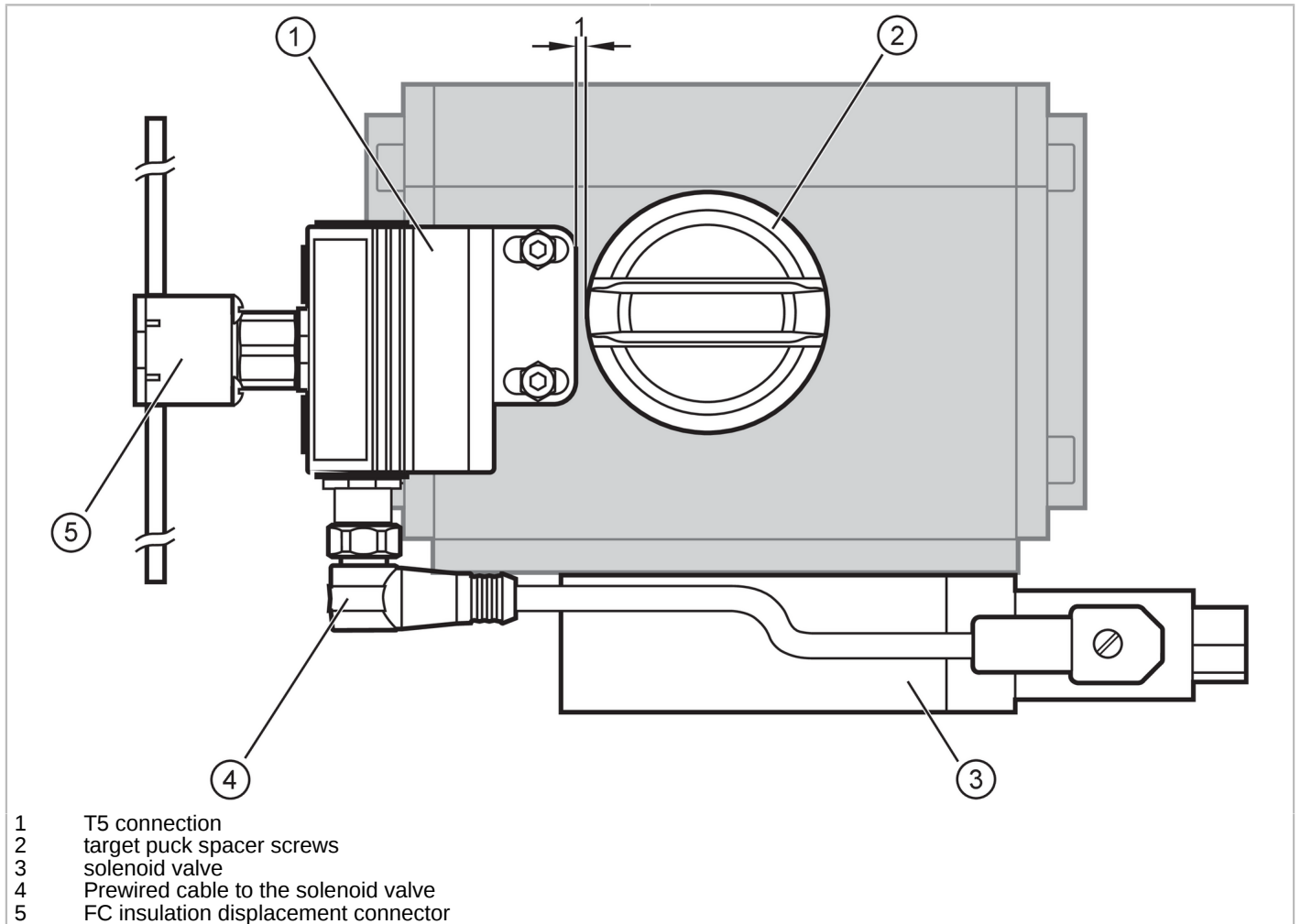




AS-Interface automation set for pneumatic valve actuators

Added Value package AS-i T5



Product characteristics	
Output function	PNP
Application	
Application	direct open and close valve control
Components	dual sensor for actuator feedback: 1, AC2316 Target pucks: 1, E12517 spacer: 1, E12526 solenoid valve: 1, ZJF124 silencer: 2, 780780N Connection cable: 1, E10844 Flat cable insulation displacement connector: 1, E75471
Electrical data	
Max. current consumption from AS-i [mA]	160
Operating voltage AUX DC [V]	26.5...31.6; ("supply class 2" to cULus)
Inputs / outputs	
Number of inputs and outputs	Number of digital inputs: 2; Number of digital outputs: 1
Inputs	
Number of digital inputs	2

AC0017



AS-Interface automation set for pneumatic valve actuators


Added Value package AS-i T5

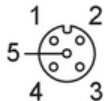
Outputs	
Number of digital outputs	1
Output function	PNP

AS-i classification	
AS-i version	2.1
AS-i profile	S-7.A.E
AS-i I/O configuration [hex]	7
AS-i ID code [hex]	A.E

Mechanical data	
Weight [g]	867
Mounting	non-flush mountable
Hole spacing [mm]	80
Shaft height of valve drive [mm]	20

Remarks	
Pack quantity	1 pcs.

Electrical connection - plug	
Connector: 1 x M12; coding: A	
	
Connection	
Connection	
1	AS-i +
3	AS-i -

Electrical connection - socket	
Connector: 1 x M12; coding: A	
	
Outputs	
3	external voltage -
4	switching output 1 +