

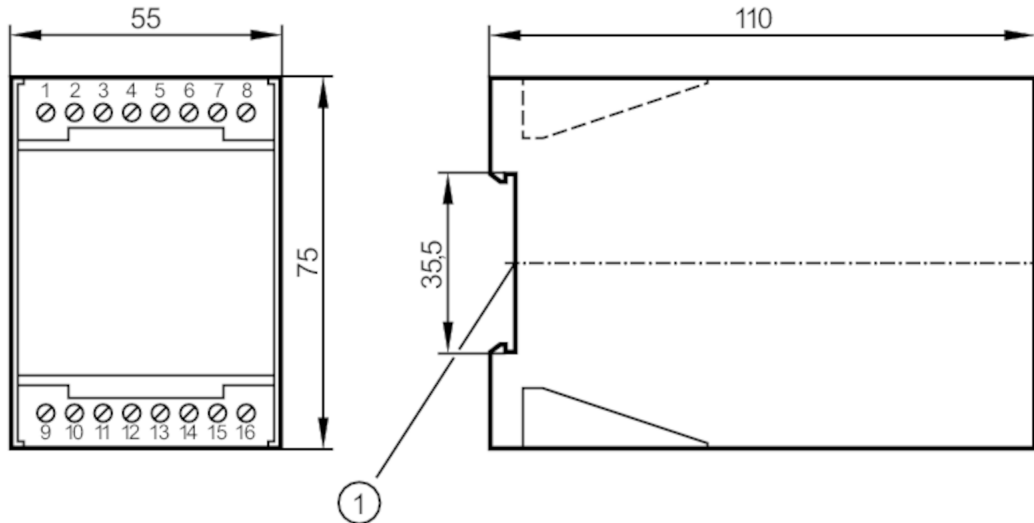
# SN0010



## Control monitor for flow sensors

VS0100/230VAC/EX

Article no longer available - archive entry



1 mounting on DIN rail

### Application

Application Flow monitoring

### Electrical data

Operating voltage tolerance	[%]	-10...10
Operating voltage	[V]	< 230 AC
Power-on delay time	[s]	< 30

### Outputs

Switching function flow monitoring relay energised when flow is present

### Software / programming

Adjustment of the switch point potentiometer

### Operating conditions

Ambient temperature	[°C]	0...60
Protection		IP 40
Protection rating terminals		IP 20

### Tests / approvals

Approval PTB Ex-93.C.2006

### Safety classification

Designation		in protection rating intrinsic safety
Voltage	[V]	12,6
Current	[mA]	186
Power	[mW]	586
[Ex ia] IIC designation		[EEx ib] IIC
[Ex ia] IIC inductance		0.5 mH
[Ex ia] IIC capacitance		1200 nF

# SN0010



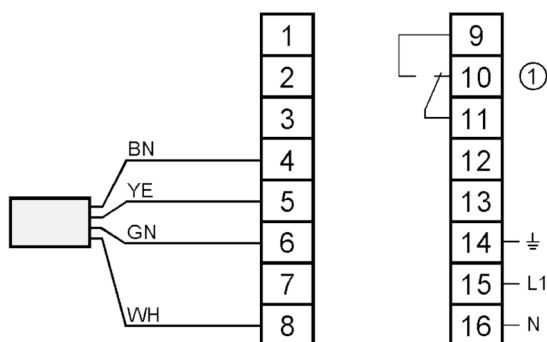
## Control monitor for flow sensors

VS0100/230VAC/EX

Mechanical data		
Housing	housing for DIN rail mounting	
Dimensions [mm]	75 x 55 x 110	
Materials	plastics	
Displays / operating elements		
Display	function	LED, red
Electrical connection		
Relay circuit AC	... 250 AV, ... 6 A $\cos \phi > 0,7$	
Relay circuit DC	... 60 DC, ... 0,6 A, L/R < 200 ms / ... 24 DC, ... 4 A, L/R < 200 ms	
Remarks		
Pack quantity	1 pcs.	

**Electrical connection**  
terminals: 16 x ...2.5 mm<sup>2</sup>

### Connection



1: Relais Flow monitoring

Core colours :

- BN = brown
- WH = white
- YE = yellow
- GN = green

Article no longer available - archive entry