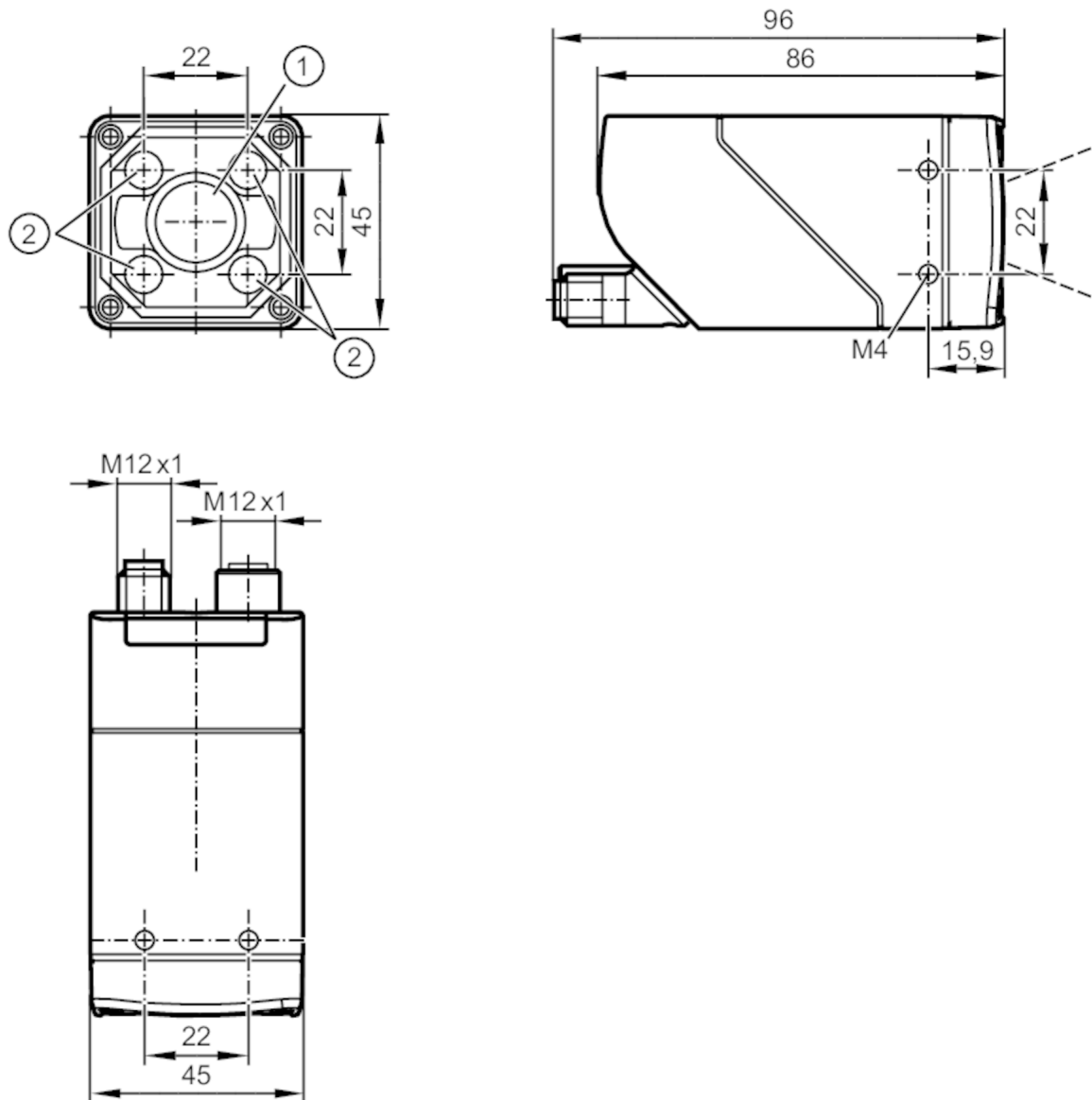


O2D530



Object recognition sensor

O2DIRDKG/E1/E4/EF/GM/TB/S/16



- 1 lens
- 2 illumination unit



Product characteristics

Type of light		infrared light
Image resolution	[px]	1280 x 960
Max. reading rate	[Hz]	40

O2D530



Object recognition sensor

O2DIRDKG/E1/E4/EF/GM/TB/S/16

Electrical data				
Operating voltage [V]	18...30 DC			
Current consumption [mA]	< 300; (24V DC; with switched outputs: < 400 mA)			
Protection class	III			
Reverse polarity protection	yes			
Type of light	infrared light			
Wave length [nm]	850			
Image sensor	CMOS image sensor black/white			
Inputs / outputs				
Number of inputs and outputs	Number of digital inputs: 1; Number of digital outputs: 1			
Inputs				
Trigger	external; 24 V PNP/NPN (IEC 61131-2 Typ 3); TCP/IP; PROFINET; internal			
Number of digital inputs	1			
Outputs				
Electrical design	PNP/NPN; (parameterisable)			
Number of digital outputs	1; (configurable)			
Max. voltage drop switching output DC [V]	1			
Max. current load per output [mA]	100			
Short-circuit protection	yes			
Type of short-circuit protection	pulsed			
Overload protection	yes			
Detection zone				
Field of view size [mm]	Operating distance	field of view		
	85	28 x 21		
	300	92 x 69		
	500	152 x 114		
	1000	302 x 227		
	1500	453 x 340		
	2000	603 x 452		
	2500	753 x 564		
Operating distance [mm]	> 85			
Image resolution [px]	1280 x 960			
Lens type	standard			
Max. reading rate [Hz]	40			
Software / programming				
Parameter setting options	via PC with ifm Vision Assistant			
Interfaces				
Communication interface	Ethernet			

O2D530



Object recognition sensor

O2DIRDKG/E1/E4/EF/GM/TB/S/16

Ethernet	
Number of Ethernet interfaces	1
Transmission standard	10Base-T; 100Base-TX
Transmission rate	10 MBit/s; 100 MBit/s
Protocol	TCP/IP; PROFINET
Factory settings	IP address: 192.168.0.69
	subnet mask: 255.255.255.0 (Class C)
	gateway IP address: 192.168.0.201
	MAC address: see type label
Usage type	parameter setting; data transmission

Operating conditions	
Ambient temperature [°C]	-10...50
Storage temperature [°C]	-40...70
Max. relative air humidity [%]	90; (non condensing)
Max. height above sea level [m]	4000
Protection	IP 65
Degree of soiling	2

Tests / approvals		
EMC	EN IEC 61000-6-4 radiation of interference	industrial environments
	EN IEC 61000-6-2 immunity	industrial environments
Shock resistance	EN 60068-2-27	50 g 11 ms / not repetitive
	EN 60068-2-27	40 g 6 ms / repetitive
Vibration resistance	EN 60068-2-6	2 g (10 ... 150 Hz)
Photobiological safety	exempt group; (EN 62471)	
Electrical protection	EN IEC 61010-2-201	electrical supply only via PELV circuits

Mechanical data	
Weight [g]	619.6
Dimensions [mm]	45 x 45 x 86
Materials	housing: diecast zinc powder-coated; front lens: Gorillaglas; LED window: PC; pushbutton: POM
Sealing material	FKM

Displays / operating elements		
Display	function	2 x LED, green
	function	2 x LED, yellow
	Multi-function button	2 x LED, green/yellow
Operating elements	1	Multi-function button

Accessories	
Accessories (optional)	Mounting accessories
	Protective panes

Remarks	
Pack quantity	1 pcs.

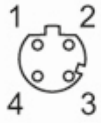
Electrical connection - Ethernet	
Connector: 1 x M12; coding: D; Moulded body: stainless steel; Sealing: FKM	

O2D530



Object recognition sensor

O2DIRDKG/E1/E4/EF/GM/TB/S/16



1	TxD+
2	RxD+
3	TxD-
4	RxD-

screen connected

Electrical connection - supply

Connector: 1 x M12; coding: L; Moulded body: stainless steel



1	24 V DC
2	not used / trigger input
3	GND
4	not used / Ready / OUT1
5	not used