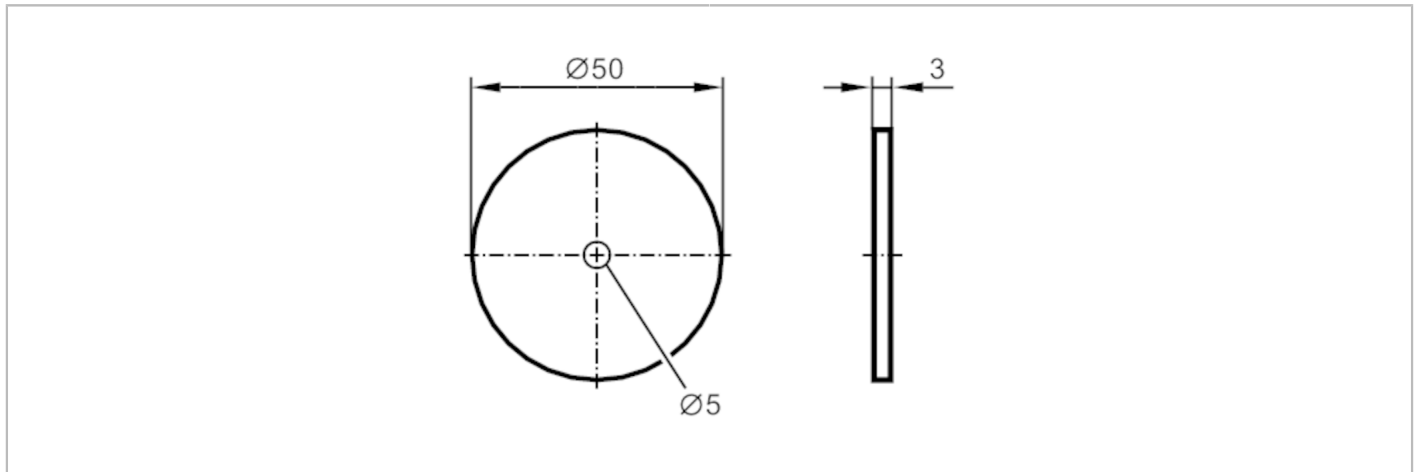


# E80384



## RFID tag

ID-TAG/D50x3,0/0 1024bit



Electrical data		
Operating frequency	[MHz]	13,56
Memory size	[bit]	1024
Memory type		EEPROM
Chip type		ICODE SLIX
Number of blocks		28
Block size	[Byte]	4
Unique Identification Number (UID)	[Byte]	8
RFID standard		ISO 15693
Max. read cycles		unlimited
Max. write cycles		100000
Operating conditions		
Ambient temperature	[°C]	-40...85
Storage temperature	[°C]	-40...90
Protection		IP 68; IP 69K
Tests / approvals		
Shock resistance	DIN IEC 68-2-27	40 g 18 ms
Vibration resistance	DIN IEC 68-2-6	10 g 10...2000 Hz
Radio approval		ISO 15693
Mechanical data		
Weight	[g]	11.5
Type of mounting		installation on non-metal materials; (screw fastening ; sticking to a surface)
Dimensions	[mm]	Ø 50 / L = 3
Materials		PPA black
Remarks		
Pack quantity		1 pcs.

# E80384



## RFID tag

ID-TAG/D50x3,0/0 1024bit

### Other data

#### Reading distance when mounted on non-metal (mm)

ANT410 / DTI410	15
ANT411 / DTI411	25
ANT420 / DTI420 / DTM424 / DTI424 / DTM426	15
ANT421 / DTI421 / DTM425 / DTI425 / DTM427	50
ANT430 / DTI430 / DTM434 / DTI434 / DTM436	35
ANT431 / DTI431 / DTM435 / DTI435 / DTM437	65
ANT513 / DTI513 / DTC510	90
ANT515 / DTI515 / ANT516 / DTI516	50
ANT600 / DTI600	190