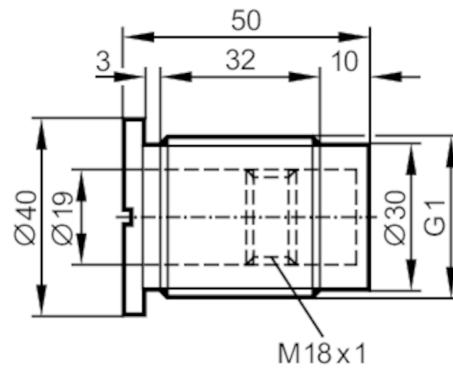


E43905



Mounting adapter for capacitive sensors

MOUNTING CAP G1",PVDF



Application

Pressure rating [bar] 8

Operating conditions

Ambient temperature [°C] -25...110

Mechanical data

Weight [g] 50.2

Materials Adapter: PVDF

Tightening torque [Nm] 5

Sensor connection threaded connection M18 x 1 internal thread

Process connection threaded connection G 1 external thread

Length [mm] 50

Remarks

Pack quantity 1 pcs.