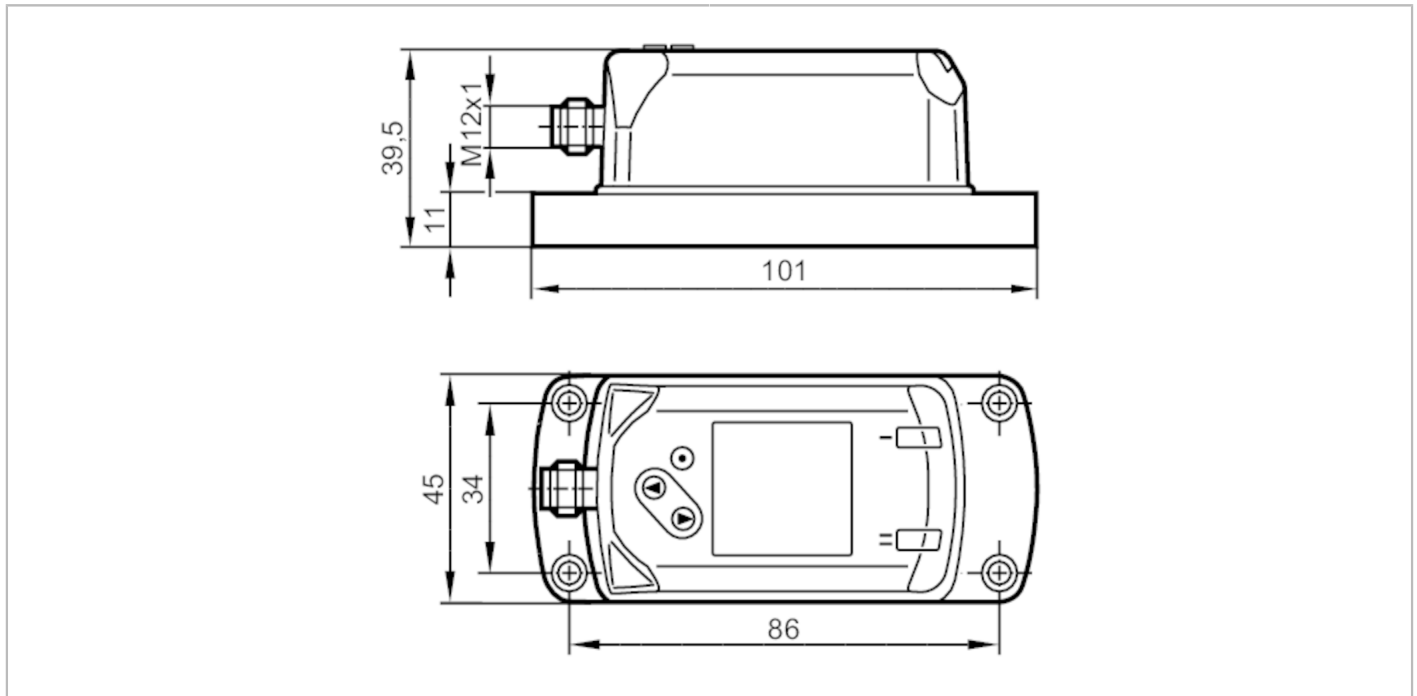


E30391



IO-Link display

IO-Link DISPLAY 1,44"



Application	
Special feature	Gold-plated contacts
Electrical data	
Operating voltage [V]	18...30 DC
Current consumption [mA]	< 47
Min. insulation resistance [MΩ]	100; (500 V DC)
Protection class	III
Reverse polarity protection	yes
Software / programming	
Parameter setting options	display, indication (figure, text, QR code)
Interfaces	
Communication interface	IO-Link
Transmission type	COM2 (38,4 kBaud)
IO-Link revision	1.1
SDCI standard	IEC 61131-9
IO-Link device ID	681 d / 00 02 A9 h
Profiles	Smart Sensor: Process Data Variable; Device Identification, Device Diagnosis
SIO mode	no
Required master port type	A
Process data binary	6
Min. process cycle time [ms]	8.4

E30391



IO-Link display

IO-Link DISPLAY 1,44"

Operating conditions		
Ambient temperature	[°C]	0...60
Storage temperature	[°C]	-20...80
Protection		IP 65; IP 67
Tests / approvals		
EMC	DIN EN 61000-6-2	
	DIN EN 61000-6-4	
Shock resistance	DIN EN 60068-2-27	20 g (11 ms)
Vibration resistance	DIN EN 60068-2-6	20 g (10...50 Hz)
MTTF	[years]	5.63
Mechanical data		
Weight	[g]	174
Materials		stainless steel (1.4404 / 316L); PC; PBT-GF30; PPS; FKM; PA 6.6-GF30
Displays / operating elements		
Display	colour display	1,44 "
	resolution pixels	128 x 128
		2 x LED, yellow
Remarks		
Pack quantity		1 pcs.
Electrical connection		
Connector: 1 x M12; Contacts: gold-plated		