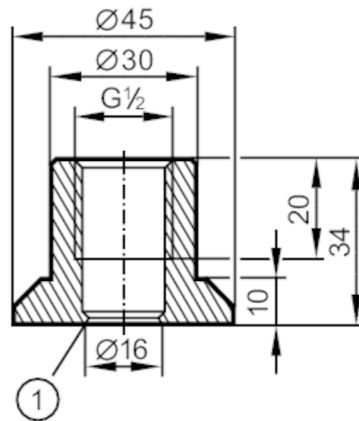


E30056



Welding adapter for process sensors

ADAPT G1/2-WELDING SHOULDER



1 sealing edge

CRN EC 1935/2004 EHEDG Tested FCM FDA

Application	
Pressure rating [bar]	50
Note on pressure rating	for the connection sensor - adapter
MAWP (for applications according to CRN) [bar]	75
Tests / approvals	
Pressure Equipment Directive	A possible classification to PED depends on the application and has to be carried out by the user / operator.
Pressure Equipment Directive EAC	The adapter is intended for use in devices, machines and installations that do not fall under the categories of the technical rule TR CU 032/2013.
Safety instructions	The compatibility between medium and product material has to be checked in all applications.
Mechanical data	
Weight [g]	190
Materials	stainless steel (1.4435 / 316L)
Sensor connection	G 1/2 sealing cone
Process connection	welding adapter Ø 45 mm
Remarks	
Pack quantity	1 pcs.