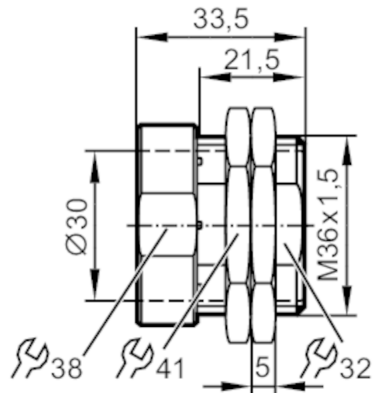


E12454



Mounting sleeve with end stop

FIXING/M30/NT/K1/COATED/END STOP



Application	
Special feature	anti-spatter
Design	with end stop
Mechanical data	
Weight [g]	118.5
Dimensions [mm]	M36 x 1.5
Thread designation	M36 x 1.5
Inside diameter [mm]	30
Materials	brass anti-spatter; nut: brass anti-spatter
Installation instruction	align the sensing face of the sensor to the right (see scale drawing)
Tightening torque [Nm]	7; (lock nuts: 20)
Accessories	
Accessories (supplied)	Nuts: 2
Remarks	
Pack quantity	1 pcs.