

# E10931

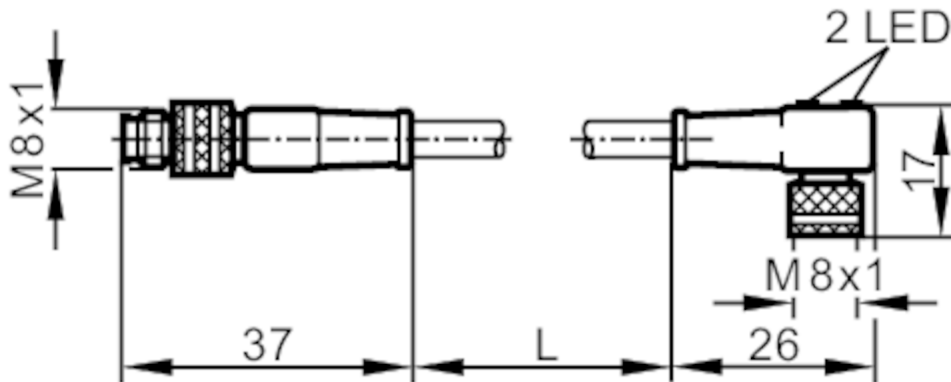


## Connection cable

VDOAF032MSS00,6H03STGF030MSS

Article no longer available - archive entry

replaced by: E11330



Application		
Special feature	Halogen-free	
Electrical data		
Operating voltage [V]	10...30 DC	
Protection class	III	
Operating conditions		
Ambient temperature [°C]	-25...90	
Protection	IP 67	
Mechanical data		
Materials	TPU	
Material nut	brass, nickel-plated / brass, nickel-plated	
Displays / operating elements		
Display	switching status	1 x LED, yellow
	operation	1 x LED, green
Remarks		
Pack quantity	1 pcs.	
Electrical connection - plug		
Connector: 1 x M8, straight; Moulded body: TPU; Locking: brass, nickel-plated		

# E10931



## Connection cable

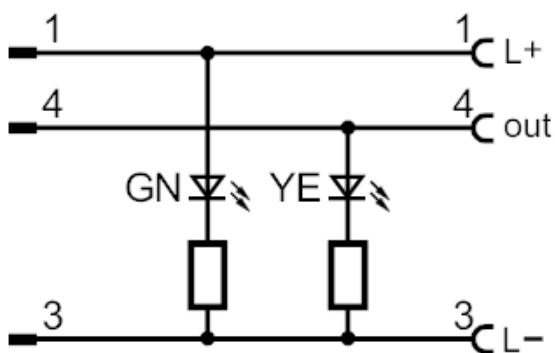
VDOAF032MSS00,6H03STGF030MSS



### Electrical connection

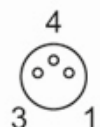
Cable: 0.6 m, TPU, Halogen-free; 3 x 0.34 mm<sup>2</sup> (42 x Ø 0.1 mm)

### Connection



### Electrical connection - socket

Connector: 1 x M8, angled; Moulded body: TPU; Locking: brass, nickel-plated



Article no longer available - archive entry

replaced by: E11330