

ST0522

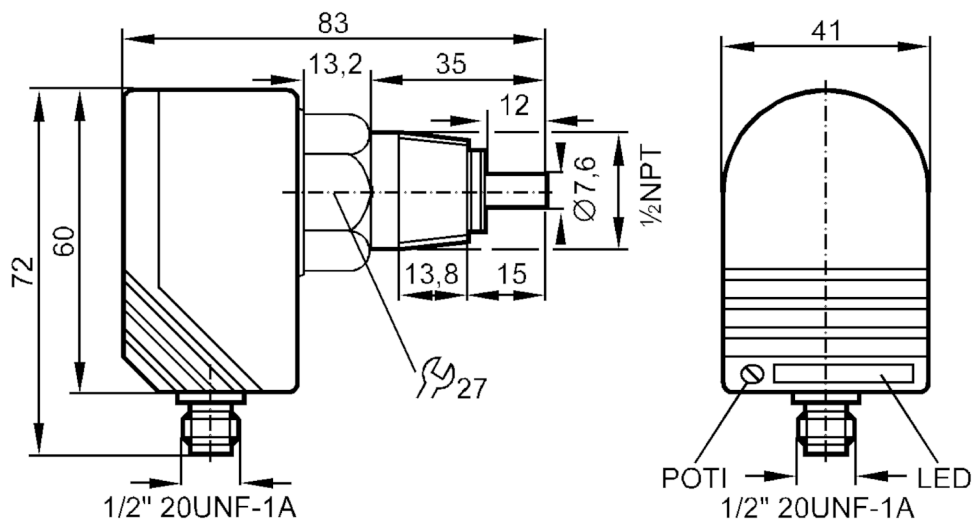
Flow monitor

SCN12ABAAKOW/LS/CSA



Article no longer available - archive entry

replaced by: SI5006 + E40107



Product characteristics

Number of inputs and outputs	Number of digital outputs: 1
Process connection	1/2 NPT

Application

Media	Liquids
Medium temperature [°C]	-25...60
Pressure rating [bar]	30

Electrical data

Operating voltage [V]	80...140 AC
Current consumption [mA]	< 40
Power-on delay time [s]	< 20

Inputs / outputs

Number of inputs and outputs	Number of digital outputs: 1
------------------------------	------------------------------

Outputs

Total number of outputs	1
Output signal	switching signal
Electrical design	relay
Number of digital outputs	1
Output function	normally open
Short-circuit protection	no

ST0522

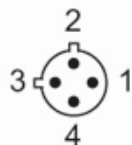


Flow monitor

SCN12ABAAKOW/LS/CSA

Measuring/setting range		
Setting range	[cm/s]	3...300
Greatest sensitivity	[cm/s]	3...60
Accuracy / deviations		
Temperature gradient	[K/min]	15
Response times		
Response time	[s]	1...10
Software / programming		
Adjustment of the switch point		potentiometer
Operating conditions		
Ambient temperature	[°C]	-20...60
Protection		IP 67
Mechanical data		
Materials		PBT-GF20
Materials (wetted parts)		stainless steel (1.4305 / 303)
Process connection		1/2 NPT
Displays / operating elements		
Display	function	11 x LED
Remarks		
Pack quantity		1 pcs.
Electrical connection		

Connector: 1 x 1/2"



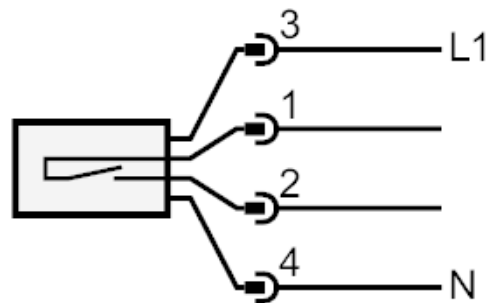
ST0522

Flow monitor

SCN12ABAAKOW/LS/CSA



Connection



Article no longer available - archive entry

replaced by: SI5006 + E40107