

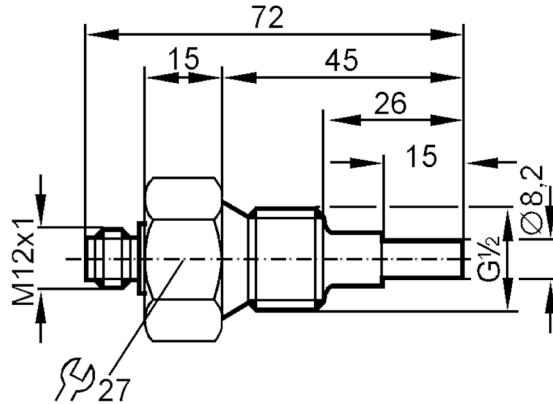
SF3306



Flow sensor for connection to an evaluation unit

SFR12ADB/US-100

Article no longer available - archive entry



Product characteristics

Process connection G 1/2

Application

Medium temperature [°C] -25...80

Pressure rating [bar] 300

Measuring/setting range

Liquids

Setting range [cm/s] 3...300

Greatest sensitivity [cm/s] 3...60

Gases

Setting range [cm/s] 200...2000

Greatest sensitivity [cm/s] 200...800

Operating conditions

Protection IP 67

Mechanical data

Housing threaded type

Dimensions [mm] 27 x 27 x 72

Materials stainless steel (1.4571/316Ti)

Materials (wetted parts) stainless steel (1.4571/316Ti)

Process connection G 1/2

Electrical connection

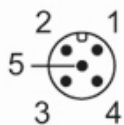
Connector: 1 x M12; Maximum cable length: 100 (5 x 0.5mm²) m

SF3306

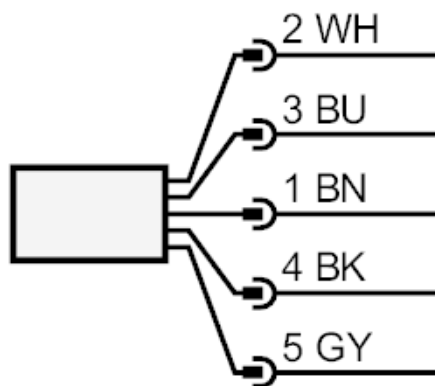


Flow sensor for connection to an evaluation unit

SFR12ADB/US-100



Connection



BN = brown
BU = blue
BK = black
WH = white
GY = grey

Article no longer available - archive entry