

# SF2204

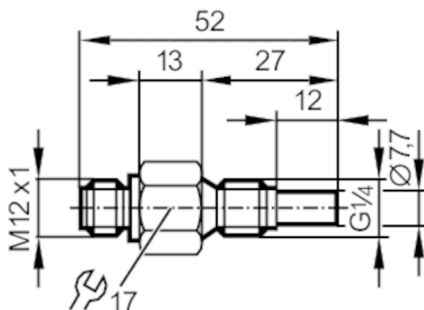


## Flow sensor for connection to an evaluation unit

SFR14ABB/US-100

Article no longer available - archive entry

replaced by: SF5200 + E40099



### Product characteristics

Process connection	G 1/4 external thread
--------------------	-----------------------

### Application

Application	high-temperature range
Media	Liquids; Gases
Medium temperature [°C]	-25...80
Pressure rating [bar]	30

### Liquids

Application	high-temperature range
Medium temperature [°C]	-25...80

### Gases

Medium temperature [°C]	-25...80
-------------------------	----------

### Electrical data

Connection to control monitor	VS 0200
-------------------------------	---------

### Measuring/setting range

#### Liquids

Setting range [cm/s]	3...300
Greatest sensitivity [cm/s]	3...60

#### Gases

Setting range [cm/s]	200...2000
Greatest sensitivity [cm/s]	200...800

### Accuracy / deviations

Temperature gradient [K/min]	15
------------------------------	----

### Response times

Response time [s]	1...10
-------------------	--------

#### Liquids

Response time [s]	1...10
-------------------	--------

#### Gases

Response time [s]	1...10
-------------------	--------

# SF2204



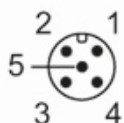
## Flow sensor for connection to an evaluation unit

SFR14ABB/US-100

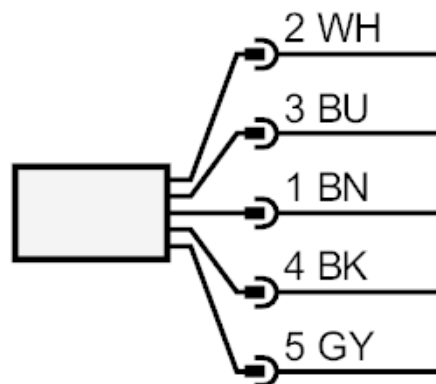
Operating conditions	
Protection	IP 67
Mechanical data	
Housing	threaded type
Materials	stainless steel (1.4571/316Ti)
Materials (wetted parts)	stainless steel (1.4571/316Ti)
Process connection	G 1/4 external thread
Accessories	
Accessories (supplied)	sealings: 2 x AMF 30
Remarks	
Pack quantity	1 pcs.

### Electrical connection

Connector: 1 x M12; Maximum cable length: 100 m



### Connection



- Core colours :
- BN = brown
  - BU = blue
  - BK = black
  - WH = white
  - GY = grey

Article no longer available - archive entry

replaced by: SF5200 + E40099