

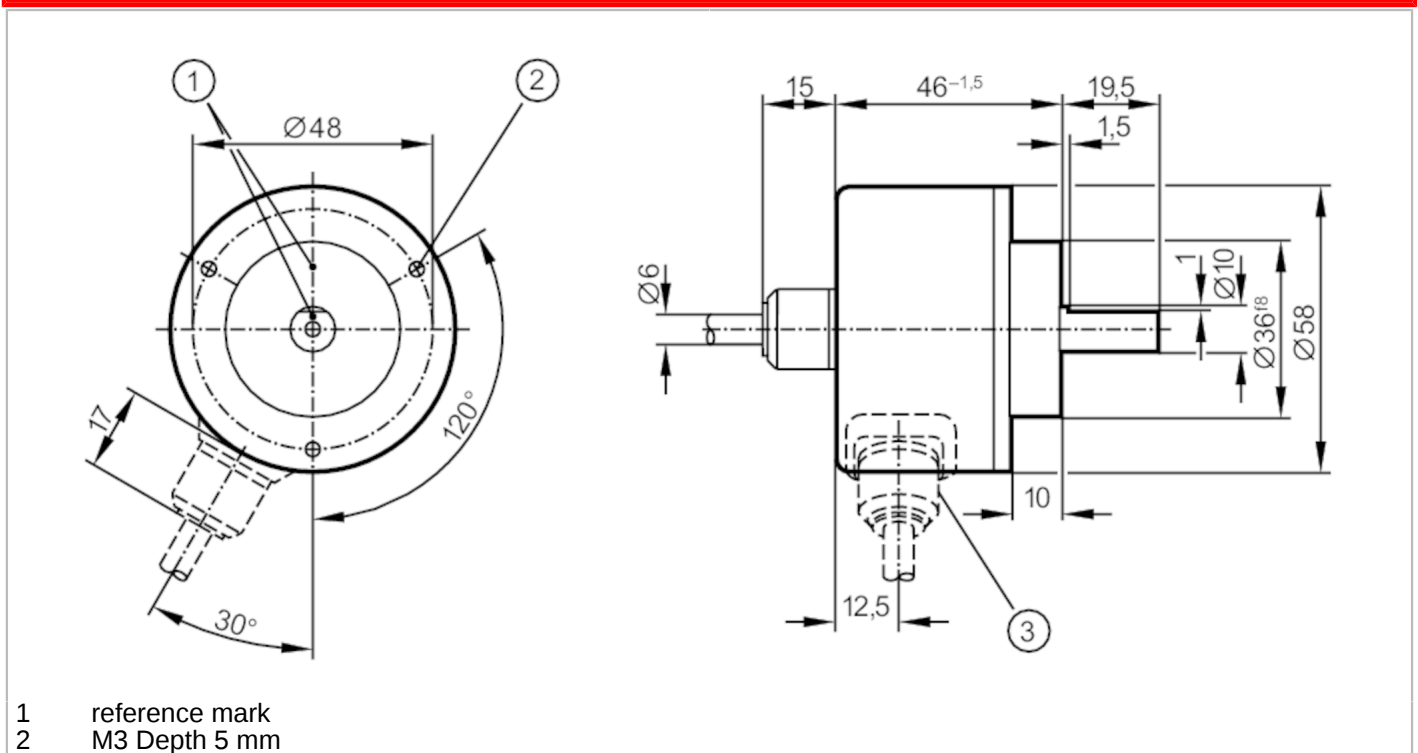
# RV6115



## Incremental encoder with solid shaft

RV-3600-I24/N2

Article no longer available - archive entry



- 1 reference mark
- 2 M3 Depth 5 mm



### Product characteristics

Resolution	3600 resolution
Shaft design	solid shaft
Shaft diameter [mm]	10

### Electrical data

Operating voltage [V]	10...30 DC
Current consumption [mA]	150

### Outputs

Electrical design	HTL
Max. current load per output [mA]	50
Switching frequency [kHz]	300
Type of short-circuit protection	< 60 s
Phase difference A and B [°]	90

### Measuring/setting range

Resolution	3600 resolution
------------	-----------------

### Operating conditions

Ambient temperature [°C]	-30...85
Note on ambient temperature	for firmly laid cable
Storage temperature [°C]	-30...100
Protection	IP 64

# RV6115



## Incremental encoder with solid shaft

RV-3600-I24/N2

### Tests / approvals

Shock resistance		100 g (6 ms)
Vibration resistance		10 g (55...2000 Hz)

### Mechanical data

Dimensions [mm]	Ø 58 / L = 46
Materials	aluminium
Max. revolution, mechanical [U/min]	12000
Max. starting torque [Nm]	1
Reference temperature torque [°C]	20
Shaft design	solid shaft
Shaft diameter [mm]	10
Shaft material	steel (1.4104)
Max. shaft load axial (at the shaft end) [N]	10
Max. shaft load radial (at the shaft end) [N]	20

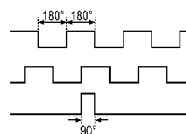
### Electrical connection

Cable: 2 m, PUR; radial

brown	A
green	A inverted
grey	B
pink	B inverted
red	0 index
black	0 index inverted
blue	L+ sensor
white	0V sensor
brown/green	L+ (Up)
white/green	0V (Un)
lilac	failure inverted
screen	housing

### Diagrams and graphs

Pulse diagram



Output A  
Output B  
0 index

Article no longer available - archive entry