

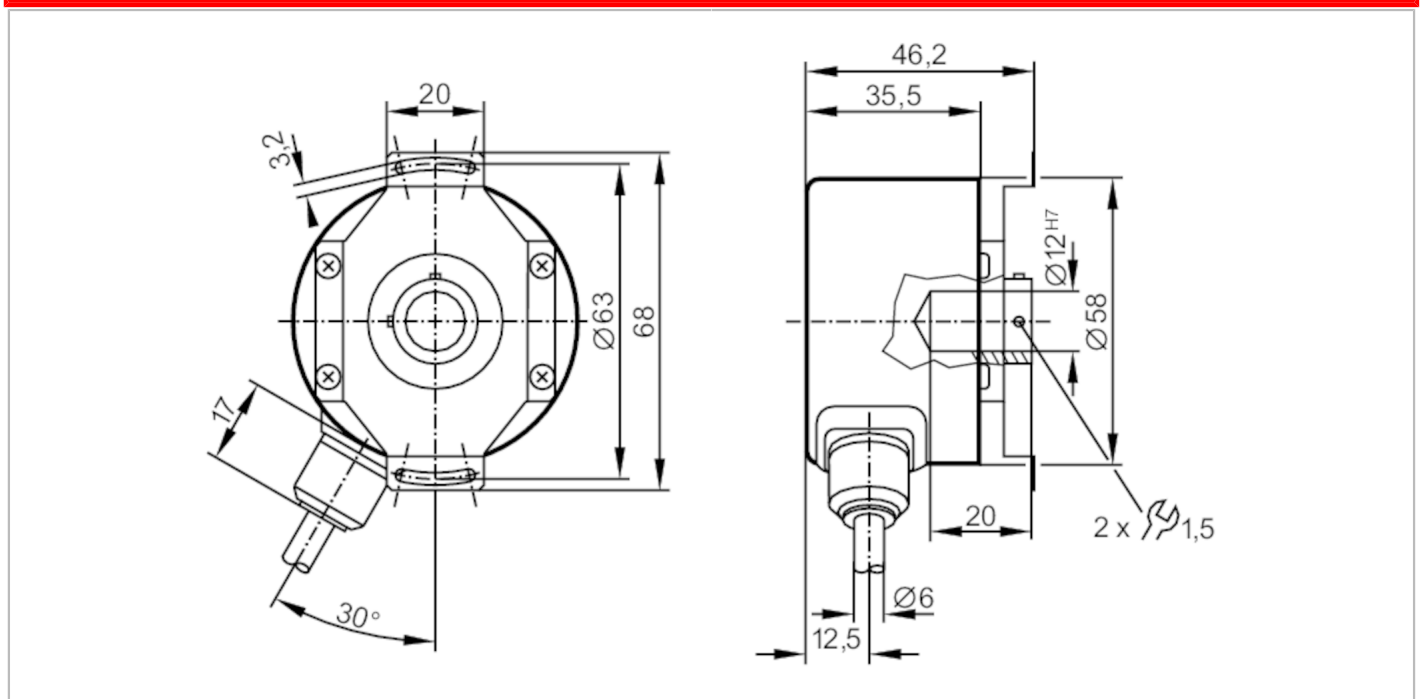
RO1367



Incremental encoder with hollow shaft

RO-4096-I05/N1U

Article no longer available - archive entry



Product characteristics

| | |
|---------------------|-------------------------------|
| Resolution | 4096 resolution |
| Shaft design | hollow shaft open to one side |
| Shaft diameter [mm] | 12 |

Electrical data

| | |
|---------------------------------|-------|
| Operating voltage tolerance [%] | 10 |
| Operating voltage [V] | 5 DC |
| Current consumption [mA] | < 150 |

Outputs

| | |
|-----------------------------------|-----|
| Electrical design | TTL |
| Max. current load per output [mA] | 20 |
| Switching frequency [kHz] | 300 |
| Phase difference A and B [°] | 90 |

Measuring/setting range

| | |
|------------|-----------------|
| Resolution | 4096 resolution |
|------------|-----------------|

Operating conditions

| | |
|--------------------------------|-----------|
| Ambient temperature [°C] | -30...100 |
| Storage temperature [°C] | -30...100 |
| Max. relative air humidity [%] | 98 |
| Protection | IP 64 |

Tests / approvals

| | |
|----------------------|---------------------|
| Shock resistance | 100 g (6 ms) |
| Vibration resistance | 10 g (55...2000 Hz) |



Incremental encoder with hollow shaft

RO-4096-I05/N1U

| Mechanical data | | |
|-------------------------------|---------|---|
| Dimensions | [mm] | Ø 58 / L = 35.5 |
| Materials | | aluminium |
| Max. revolution, mechanical | [U/min] | 12000 |
| Max. starting torque | [Nm] | 2.5 |
| Reference temperature torque | [°C] | 20 |
| Shaft design | | hollow shaft open to one side |
| Shaft diameter | [mm] | 12 |
| Shaft fit | | H7 |
| Shaft material | | stainless steel |
| Installation depth of shaft | [mm] | 10 |
| Max. axial shaft misalignment | [mm] | 1; (max. radial shaft alignment: ± 0,05 mm) |

| Electrical connection | |
|-------------------------|------------------|
| Cable: 1 m, PUR; radial | |
| brown | A |
| green | A inverted |
| grey | B |
| pink | B inverted |
| red | 0 index |
| black | 0 index inverted |
| blue | L+ sensor |
| white | 0V sensor |
| brown/green | L+ (Up) |
| white/green | 0V (Un) |
| lilac | failure inverted |
| screen | housing |

| Diagrams and graphs | |
|---------------------|--|
| Pulse diagram | <p>Output A Output B 0 index</p> |

Article no longer available - archive entry