

RN6054

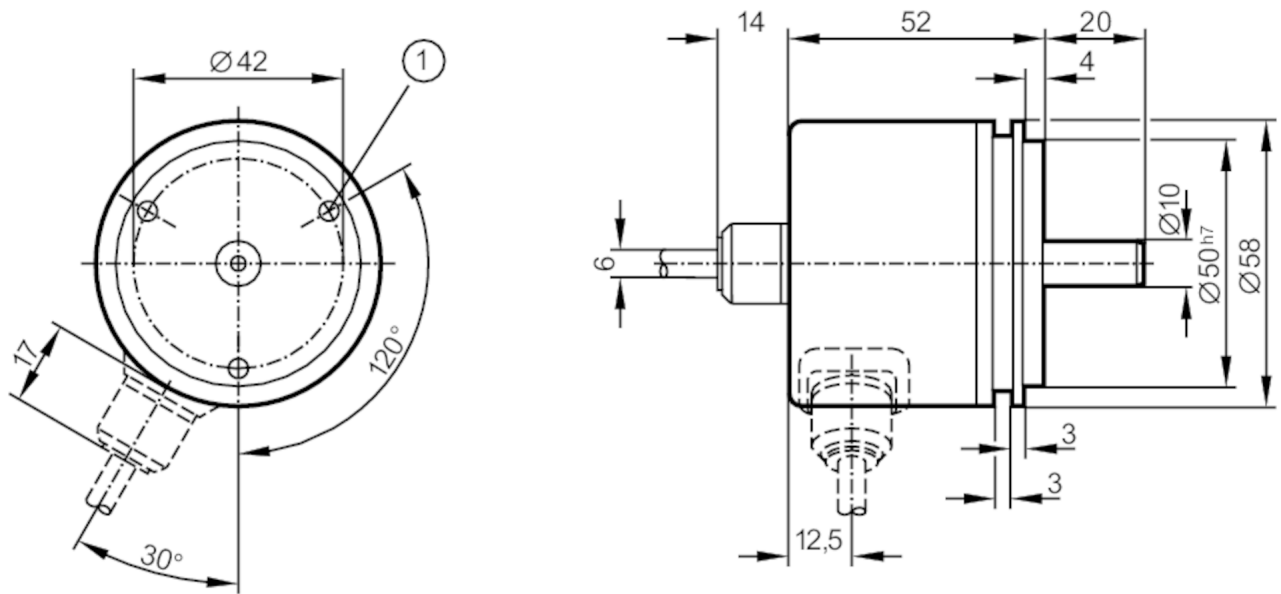


Absolute singleturn encoder with solid shaft

RN-4096-S24/N1B

Article no longer available - archive entry

replaced by: RN6055



1 M4 Depth 5 mm



Product characteristics	
Resolution	4096 resolution; 4096 steps; 12 bit
Communication interface	SSI data interface
Shaft design	solid shaft
Shaft diameter [mm]	10
Electrical data	
Operating voltage [V]	10...30 DC
Current consumption [mA]	< 150
Max. revolution electrical [U/min]	6000
Outputs	
Code	Gray code; (increasing code values when turned clockwise (seen on the shaft))
Code signal	data input; TTL-compatible signals; clock and clock (inv.) from drivers to RS 485; data output; synchronous serial; TTL-compatible signals, data, and data (inv.); incremental signals; 2 sinusoidal incremental signals (A and B) ; phase shifted by 90°; 1 Vss 512 signal periods per revolution
Measuring/setting range	
Resolution	4096 resolution; 4096 steps; 12 bit
Interfaces	
Communication interface	SSI data interface

RN6054



Absolute singleturn encoder with solid shaft

RN-4096-S24/N1B

Operating conditions	
Ambient temperature [°C]	-20...85
Storage temperature [°C]	-30...80
Protection	IP 64
Tests / approvals	
Shock resistance	100 g (6 ms)
Vibration resistance	10 g (55...2000 Hz)
Mechanical data	
Dimensions [mm]	Ø 58 / L = 52
Materials	aluminium
Max. revolution, mechanical [U/min]	12000
Max. starting torque [Nm]	1
Reference temperature torque [°C]	20
Shaft design	solid shaft
Shaft diameter [mm]	10
Shaft material	steel (1.4104)
Max. shaft load axial (at the shaft end) [N]	10
Max. shaft load radial (at the shaft end) [N]	20
Remarks	
Remarks	Wires/pins not connected (n.c.) must not be used.
Electrical connection	
Cable: 1 m, PUR; Maximum cable length: 100 m; radial	
black	n.c.
red	n.c.
green	n.c.
brown	n.c.
brown/green	10...30V (Up)
lilac	clock
yellow	clock inverted
screen	housing
white/green	0V (Un)
blue / black	B+
red/black	B-
grey	data
green / black	A+
yellow / black	A-
pink	data inverted

RN6054

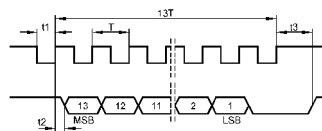


Absolute singleturn encoder with solid shaft

RN-4096-S24/N1B

Diagrams and graphs

Pulse diagram



clock

data

Article no longer available - archive entry

replaced by: RN6055