

PP7026

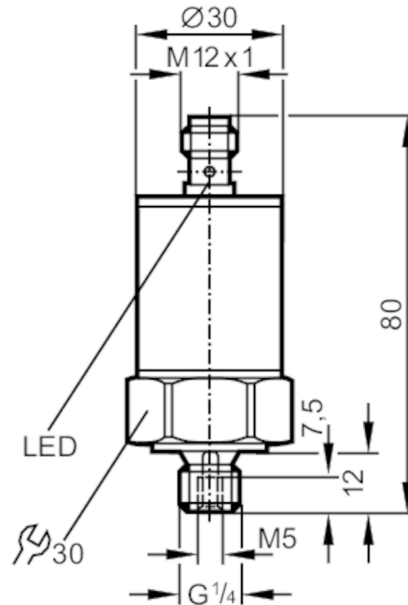


Pressure switch with ceramic measuring cell

PP-2,5-RBG14-QFRKG/US/ IV

Article no longer available - archive entry

replaced by: PP7556



Product characteristics

Output signal	switching signal		
Measuring range	0...2.5 bar	0...36.3 psi	0...250 kPa
Process connection	threaded connection G 1/4 external thread internal thread M5		

Application

Special feature	Gold-plated contacts		
Application	for industrial applications		
Media	liquids and gases		
Medium temperature [°C]	-25...80		
Pressure rating	20 bar	290 psi	2000 kPa
Min. bursting pressure	50 bar	725 psi	5000 kPa
Type of pressure	relative pressure		

Electrical data

Operating voltage [V]	9.6...30 DC; (PP2000 with sensor: > 18)		
Current consumption [mA]	< 45		
Min. insulation resistance [MΩ]	100; (500 V DC)		
Protection class	III		
Reverse polarity protection	yes		
Power-on delay time [s]	0.3		

Inputs / outputs

Number of inputs and outputs	Number of digital outputs: 2
------------------------------	------------------------------



Pressure switch with ceramic measuring cell

PP-2,5-RBG14-QFRKG/US/ IV

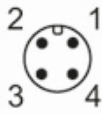
Outputs			
Total number of outputs		2	
Output signal		switching signal	
Electrical design		PNP/NPN	
Number of digital outputs		2	
Output function		normally open / normally closed; (parameterisable)	
Max. voltage drop switching output DC	[V]	2	
Permanent current rating of switching output DC	[mA]	250	
Switching frequency DC	[Hz]	< 170	
Short-circuit protection		yes	
Type of short-circuit protection		pulsed	
Overload protection		yes	
Measuring/setting range			
Measuring range		0...2.5 bar	0...36.3 psi 0...250 kPa
Set point SP		0.03...2.5 bar	0.4...36.3 psi 3...250 kPa
Reset point rP		0.02...2.49 bar	0.2...36.2 psi 2...249 kPa
In steps of		0.01 bar	0.1 psi 1 kPa
Accuracy / deviations			
Switch point accuracy	[% of the span]	< ± 1,5	
Repeatability	[% of the span]	< ± 0,1; (with temperature fluctuations < 10 K)	
Characteristics deviation	[% of the span]	< ± 0,25 (BFSL) / < ± 0,5 (LS); (BFSL = Best Fit Straight Line; LS = limit value setting)	
Linearity deviation	[% of the span]	< ± 0,5	
Hysteresis deviation	[% of the span]	< ± 0,1	
Long-term stability	[% of the span]	< ± 0,1; (per year)	
Temperature coefficient zero point	[% of the span / 10 K]	< ± 0,2; (-25...80 °C)	
Temperature coefficient span	[% of the span / 10 K]	< ± 0,3; (-25...80 °C)	
Response times			
Response time	[ms]	< 3	
Damping for the switching output dAP	[s]	0...4	
Software / programming			
Adjustment of the switch point		programming unit / teach function	
Interfaces			
Communication interface		EPS	

PP7026



Pressure switch with ceramic measuring cell

PP-2,5-RBG14-QFRKG/US/ IV

Operating conditions		
Ambient temperature	[°C]	-25...80
Storage temperature	[°C]	-40...100
Protection		IP 67
Tests / approvals		
EMC	EN 61000-4-2 ESD	4 kV CD / 8 kV AD
	EN 61000-4-3 HF radiated	10 V/m
	EN 61000-4-4 Burst	2 kV
	EN 61000-4-6 HF conducted	10 V
Shock resistance	DIN IEC 68-2-27	50 g (11 ms)
Vibration resistance	DIN IEC 68-2-6	20 g (10...2000 Hz)
Mechanical data		
Materials	stainless steel (1.4301 / 304); PA	
Materials (wetted parts)	stainless steel (1.4305 / 303); ceramics; FKM	
Min. pressure cycles	100 million	
Process connection	threaded connection G 1/4 external thread internal thread M5	
Restrictor element integrated	no (can be retrofitted)	
Displays / operating elements		
Display	operation	LED, green
	switching status	2 x LED, yellow
Teach function	yes	
Remarks		
Pack quantity	1 pcs.	
Electrical connection		
Connector: 1 x M12; Contacts: gold-plated		
		

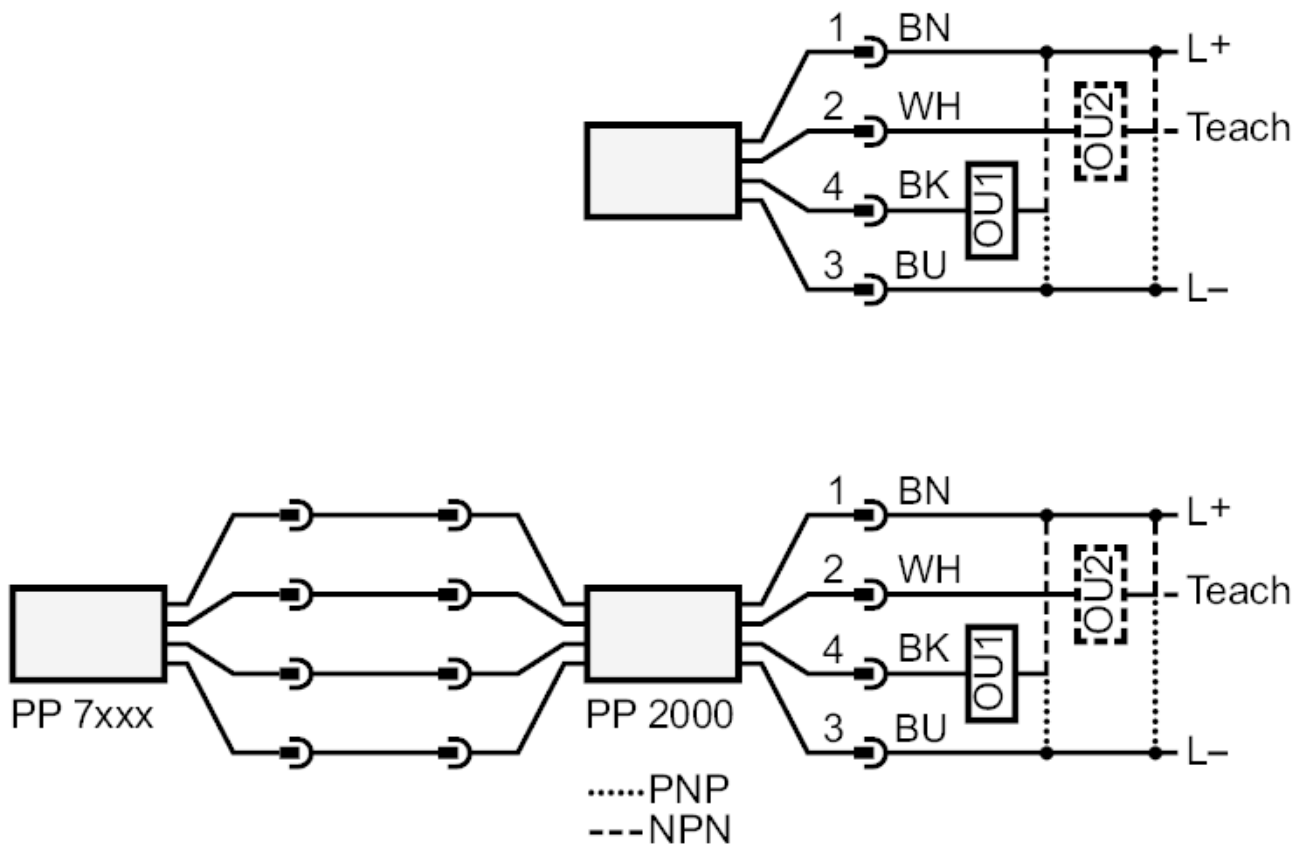
PP7026



Pressure switch with ceramic measuring cell

PP-2,5-RBG14-QFRKG/US/ IV

Connection



Article no longer available - archive entry

replaced by: PP7556